



# Entertainment Lighting



DONGGUAN YOUEASY ELECTRONIC TECHNOLOGY CO., LTD

8/F, Changrong High-tech Park, Huaide Yayao Industrial Zone, Humen Town,  
Dongguan City, Guangdong Province, China

Website: [www.szyoueasy.com](http://www.szyoueasy.com) Wechat/Whatsapp: +86 189-3816-0702 Email: [sales@szyoueasy.com](mailto:sales@szyoueasy.com)

# LIGHTING IS ART

**LIGHTING** LIKE GREAT ART IS NOT SIMPLE  
BUT WE MAKE IT AS EASY AS FLIPPING A SWITCH

天空之城  
SKY

IN SKY

天空之城



INTEGRATED SOLUTION FOR INTELLIGENT VISION SYSTEM

# ABOUT YOU EASY

Dongguan Youeasy Electronic Technology Co., Ltd, founded in 2013, is a pioneering manufacturer of professional entertainment lighting, architectural lighting, lighting controller. Supported by extensive R&D, productions and sales, we provide one stop solutions and integrated designs to beautify the stage and environment projects of any scale.

Uniting over 250 employees in Dongguan, Foshan, Chengdu, Shenzhen, Jinan, Hangzhou of China, YOUEASY has become a leading brand in the entertainment lighting industry and successfully proliferated its products and solutions throughout the vast expanse of China. From major entertainment venues to the small corners of streets, Youeasy has left its mark, contributing its expertise to enhance the entertainment experience in diverse locales. We take pride in playing a significant role in contributing to the enjoyment of the general public.

Starting from the summer of 2023, YOUEASY embarked on a journey into the international market, aspiring to showcase our products worldwide by leveraging our professional research and development, as well as unique designs. This expansion marks a significant milestone as we aim to bring our cutting-edge technology and integrated solutions to customers across the globe.



YOUEASY's core mission is to create the visual atmosphere for commercial projects and regard this as our long-term strategic goal. Lighting like great art is not simple, but we make it as easy as flipping a switch! Looking forward to see YOUEASY products in all small and large venues worldwide, different applications like bars, discos, mobile DJs, karaoke, nightclubs, television studios, theaters, churches, restaurants, hotels, schools, cruise ship, theme park etc. With a commitment to excellence, YOUEASY is dedicated to making a global impact and establishing a presence in the international markets.



# CORE MISSION



# DEVELOPMENT STORY

- In 2013 >** YOUEASY established in Shenzhen, China with a complete set of intelligent lighting controllers.
- In 2014 >** YOUEASY launched 802D lighting controller, supporting DMX512 control protocol.
- In 2015 >** YOUEASY's first lighting controller that supports sound and light linkage was born - 802X.
- In 2016 >** YOUEASY's intelligent lighting control solutions are widely promoted and extensively applied.
- In 2017 >** YOUEASY started the independent research and development of entertainment lighting fixtures, giving birth to the classic E series.
- In 2018 >** YOUEASY's first 9000 series controller with lighting control software is born, along with the launch of several independently developed lighting fixtures.
- In 2019 >** YOUEASY's lighting solutions integrate architectural lighting products, fully entering an era of overall lighting solutions.
- In 2020 >** YOUEASY obtained ISO9000 quality certification, implementing comprehensive quality management.
- In 2021 >** Youeasy's entertainment lighting is rapidly popularizing even during Covid, positioning YOUEASY once again at the forefront of the industry.
- In 2022 >** Transitioned from upgrading lighting solutions to overall visual solutions, YOUEASY enters a new stage of development.
- In 2023 >** The revolutionary ID series show system controllers is born, marking YOUEASY's expansion beyond the entertainment industry into a wide range of commercial scenarios.

# QUALITY ASSURANCE

## Your Trustworthy Partner

YOUEASY owes two manufacturing plants in Dongguan, Foshan, R&D center in Chengdu, and multi sales & service branches in Shenzhen, Jinan, Hangzhou, Zhengzhou etc. YOUEASY has successfully achieved the internationally-recognized ISO9001 standard, and CE, RoHS certificates. With strong technical support, we provide customers with high-quality professional pre-sale, sale and after-sale service, constantly striving towards our ultimate goal of zero defects.





# APPLICATIONS

## NIGHTLIFE & CLUBS



## MOBILE BAND & DJS



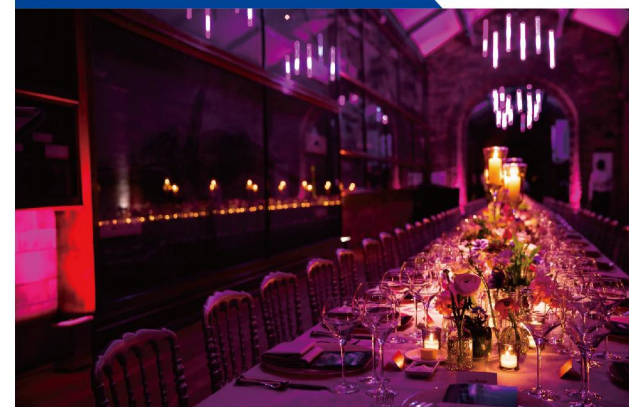
## CORPORATE & PRIVATE EVENTS



## BARS & RESTAURANTS



## HOTELS & RESORTS



## CONVENTION CENTERS & TRADE SHOW





# PROJECT CASE

## JC Party

JC Party is situated in the central area of Tianfu New City in Chengdu, covering an expansive 8,000 square meters with 44 party rooms. With a substantial investment of tens of millions and cutting-edge lighting and mechanical equipment valued in the millions, JC Party aims to provide a comprehensive and immersive entertainment experience. The project focuses on creating a space that enhances the quality of entertainment life.



## INXX PARTY

Located in Changsha, INXX PARTY nightclub is a multifaceted entertainment complex that integrates "performance, listening, playing, and exhibition," creating a versatile and comprehensive space for entertainment. With a total investment exceeding 35 million US dollars, it stands as a world-class nightclub. This project represents a significant investment to establish one of the premier nightlife destinations globally, showcasing a commitment to offering diverse forms of entertainment under one roof. The INXX PARTY aims to set new standards in the nightlife industry, providing an unparalleled experience for patrons with a substantial investment in facilities, technology, and overall ambiance.



## 1001

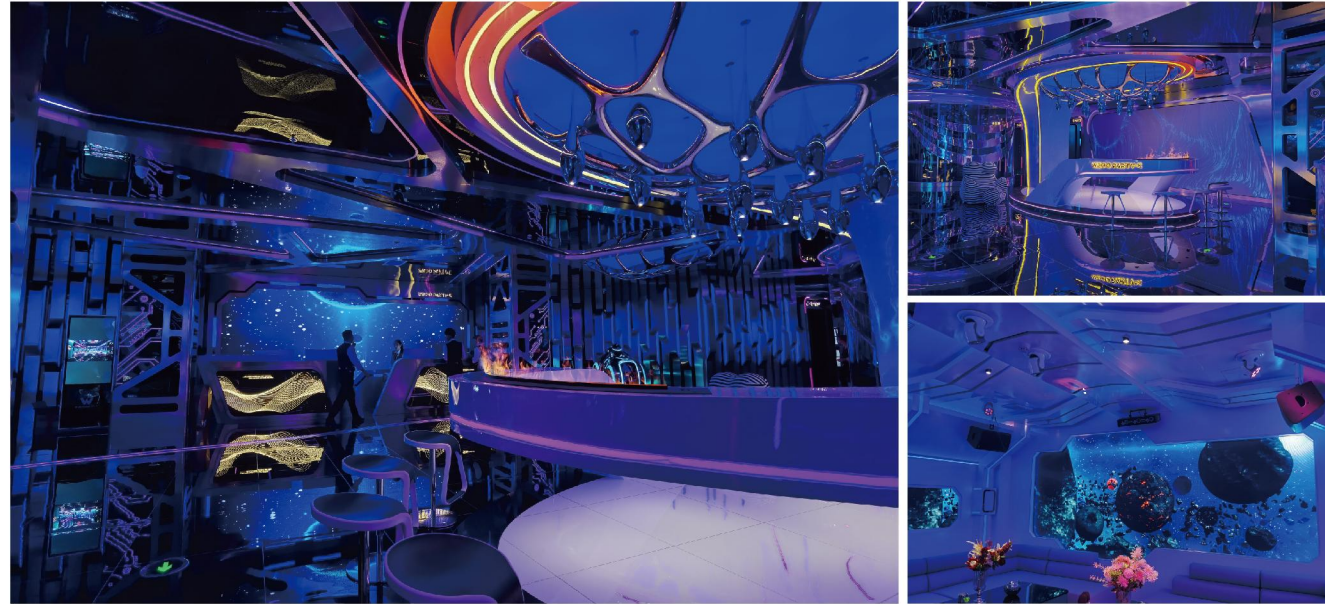
"Nanjing 1001" is a locally originated brand by 1001PARTY in Nanjing. It innovatively merges KTV entertainment with a CLUB experience, constantly introducing unique and distinctive playing styles. The project aims to create nine distinct PARTY ROOMS, each offering a different style of experience, providing a diverse range of options for patrons. The themed rooms range from vibrant and energetic to more intimate and tailored experiences, offering a variety of atmospheres to suit different preferences.





## WEGO PARTY-K

WEGO PARTY-K is an all-encompassing immersive space that seamlessly integrates vocals, lighting effects, and electronic music. Spanning over 3000 square meters, it is a colossal "cyberpunk music battleship" designed to perfection. Featuring 51 uniquely themed private rooms, WEGO PARTY-K has become the trendy go-to destination for the youth in Chengdu. The project is a convergence of voice, lighting, and electronic music within an intelligent and technologically advanced environment.



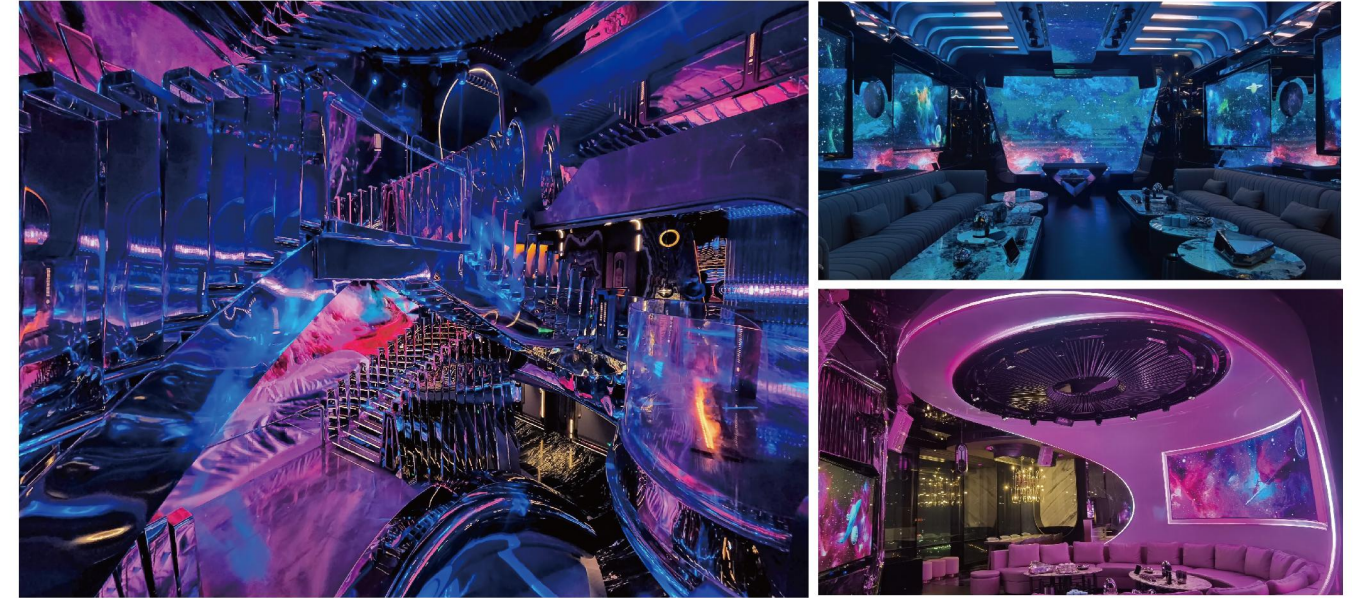
## Windsor W+KBar

Windsor W+KBar is the trendy hotspot located in Changsha's Jiefang West area, seamlessly combining KTV and Bar elements to create an immersive social gathering space. Skillfully merging a variety of trendy elements, the venue is designed to be a hub for immersive social interactions.



## SKY CITY

Sky City is the largest entertainment complex in Shenzhen, with an investment of 58 million US dollars. This cutting-edge venue represents a bold upgrade to the KTV entertainment experience, featuring an environmentally friendly and trendy space, establishing itself as an immersive urban social center.



## LONGMENGZHEN PUB

LONGMENGZHEN PUB is the first restaurant and bar in China with the core product line centered around the cultural and artistic elements of the Shu Han period in the Three Kingdoms era. Operating across multiple time slots, it offers a distributed range of products including afternoon tea, meals, and beverages. The establishment aims to create a distinctive Chinese pop-culture entertainment landmark by providing an immersive experience that transcends time and dimensions, seamlessly blending the ancient and modern.





# YOUEASY

## ENTERTAINMENT LIGHTING SERIES

YOUEASY boldly innovates and develops various entertainment lighting with novel style, stylish design, exquisite appearance, high performance and more compact size on the basis of traditional stage fixture. Such as LED moving head beam light, Wash light, Gobo light, Bar light, Laser light, Multi effect light with more function like electric focus, zoom, frost, pan/tilt encoder etc. Lighting like great art is not simple, but we make it as easy as flipping a switch! Let our lighting to Enrich your entertainment experience.





# 01

## SERIES H

Professional LED Moving Heads

# LED 3-IN-1 LIGHT

## FT-H480W LED 380W Moving Head 3-IN-1 Beam Spot Wash Light with Zoom



### TECHNICAL PARAMETER

- Light source:** LED module 380W, 6000K
- Lens aperture:** 138mm
- Beam angle:** Zoom 4.5-45°
- Frost:** Frost filter
- Focus:** Motorized focus
- Dimming:** 0 - 100% smooth linear dimming, flicker-free
- Focus:** Motorized focus
- Prism 1 :** 6\*25° bilateral rotation
- Prism 2 :** 6\*22° bilateral rotation
- Strobe:** High speed electronic strobe
- Color:** Variable CTO ( 2700K - 6000K), CMYK color mixing + 6 Fixed Colors + White
- Gobo wheel 1:** Fixed, 8 + 1
- Gobo wheel 2:** Rotating, interchangeable gobos 7 + 1
- Pan:** 540°, Automatic pan position correction
- Tilt:** 250°, Automatic tilt position correction
- Connector:** XLR In/Out
- Onboard menu:** TFT display
- Control option:** Auto,Sound, DMX512, RDM, Master/Slave
- Cooling:** Temperature-controlled fan
- Voltage:** AC 110-240V, 50HZ



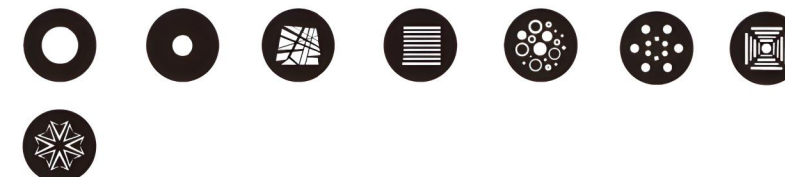
### CMY+COT



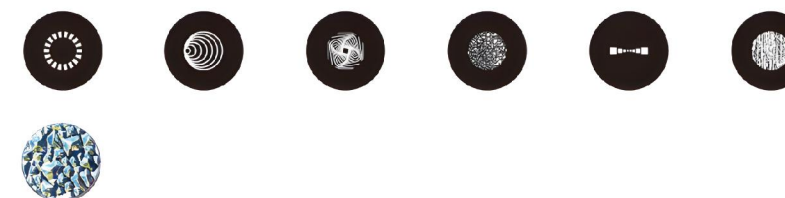
### COLOUR



### FIXED



### ROTATING



### EFFECTS





# LED BEAM LIGHT

## FT-H400S

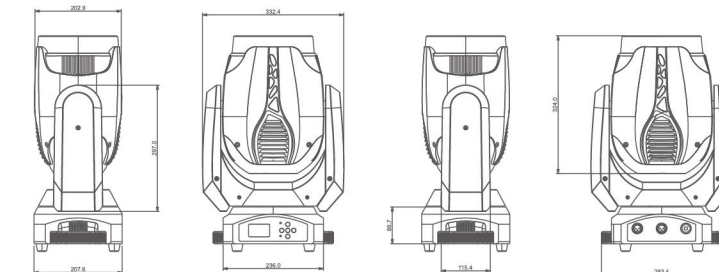
### LED Moving Head Beam Light with LED Pixel Ring



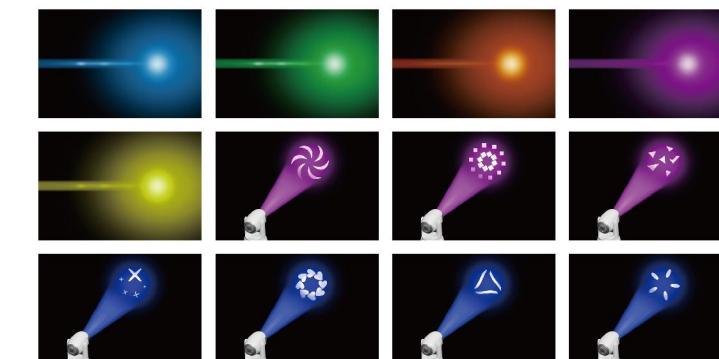
#### TECHNICAL PARAMETER

- Light source:** LED 200W, 8000K
- LED ring:** 40pcs x 0.2W RGB
- Lens aperture:** 150mm
- Beam angle:** 1.2°
- Frost:** Frost filter
- Focus:** Motorized focus
- Prism 1:** 18\*25° bilateral rotation
- Prism 2:** 12\*22° rotation
- Dimming:** 0 – 100% linear dimming
- Strobe:** High speed electronic strobe
- Color wheel:** 16 + 1
- Gobo wheel:** 16 + 1
- Pan:** 540°, pan encoder
- Tilt:** 250°, tilt encoder
- Housing:** ABS + PC + PA66
- Connector:** XLR In/Out
- Onboard menu:** TFT display menu
- Control option:** Auto, Sound, DMX512 (18CH), RDM, Master/Slave
- Cooling:** Temperature-controlled fan
- Installation methods:** Hanging on truss
- Voltage:** AC 110–240V, 50HZ
- NW:** 14KG
- Dimension:** 332.4\*207.6\*496.5mm

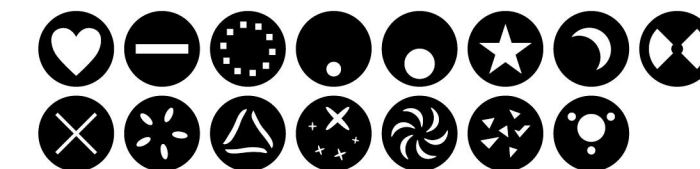
#### PRODUCT SIZE



#### COLOR EFFECTS



#### PATTERN



#### COLOUR



# LED BEAM LIGHT

## FT-H300S

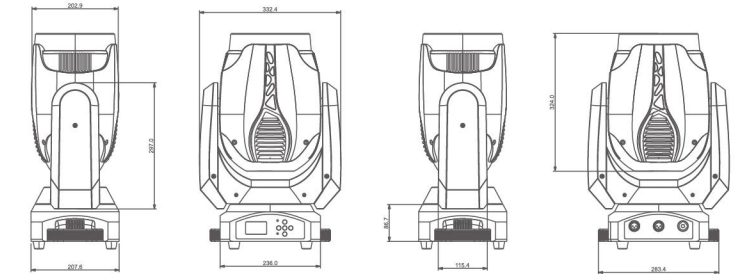
### LED Moving Head Beam Light with LED Pixel Ring



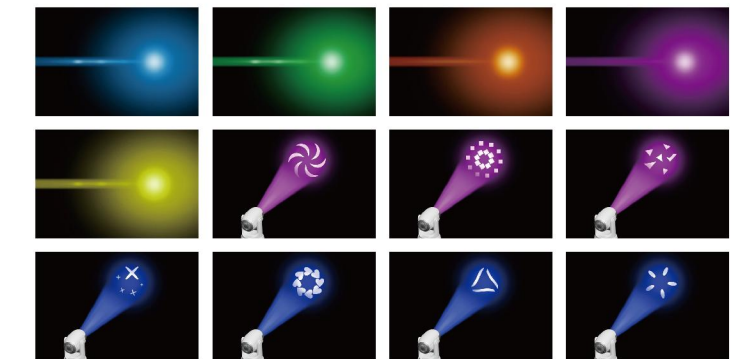
#### TECHNICAL PARAMETER

- Light source:** LED 100W, 8000K
- LED ring:** 40pcs x 0.2W RGB
- Lens aperture:** 150mm
- Beam angle:** 0.8°
- Frost:** Frost filter
- Focus:** Motorized focus
- Prism:** 24-Facet rotating prism
- Dimming:** 0 – 100% linear dimming
- Strobe:** High speed electronic strobe
- Color wheel:** 16 + 1
- Gobo wheel:** 16 + 1
- Pan:** 540°, pan encoder
- Tilt:** 250°, tilt encoder
- Housing:** ABS + PC + PA66
- Connector:** XLR In/Out
- Onboard menu:** TFT display menu
- Control option:** Auto, Sound, DMX512 (23CH/27CH), RDM, Master/Slave
- Cooling:** Temperature-controlled fan
- Installation methods:** Hanging on truss
- Voltage:** AC 110-240V, 50HZ
- NW:** 13.8KG
- Dimension:** 332.4\*207.6\*496.5mm

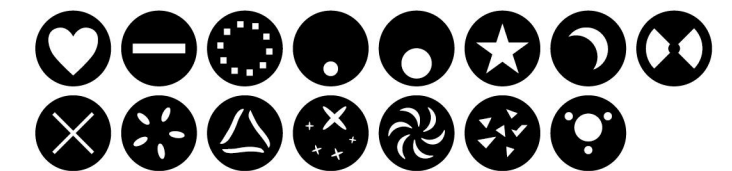
#### PRODUCT SIZE



#### COLOR EFFECTS



#### PATTERN



#### COLOUR







# 02

## SERIES MH

Professional LED Moving Heads



# LED 3-IN-1 LIGHT

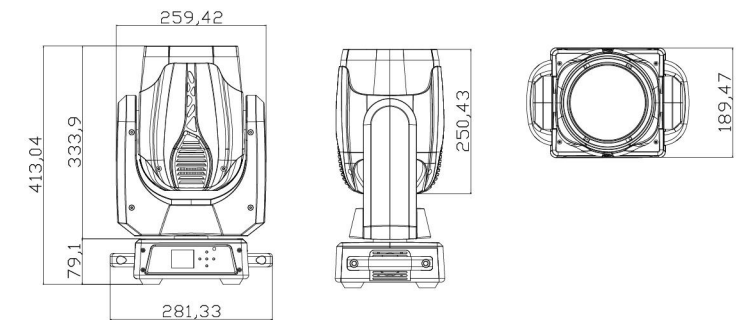
## FT-MH380W LED 200W Moving Head 3-IN-1 Beam Spot Wash Light with Zoom



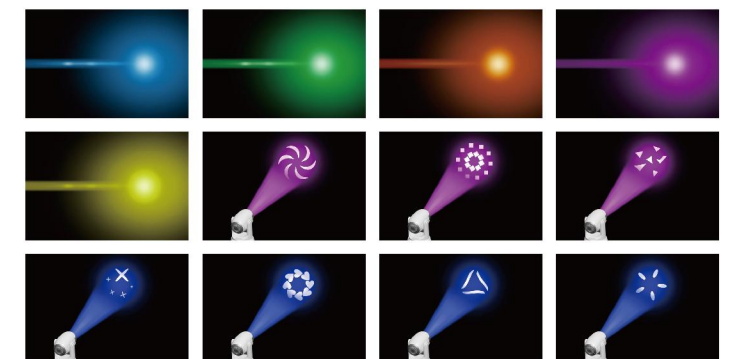
### TECHNICAL PARAMETER

- Light source:** LED module 200W, 6000K
- Lens aperture:** 95mm
- Beam angle:** Zoom 4-45°
- Frost:** Frost filter
- Dimming:** 0 – 100% linear dimming
- Focus:** Motorized focus
- Prism:** 6\*25° bilateral rotation
- Strobe:** High speed electronic strobe
- Color wheel:** 7 + 1
- Gobo wheel 1:** Fixed, 8 + 1
- Gobo wheel 2:** Rotating, 7 + 1
- Built in Effect:** Water wave and flame
- Pan:** 540°, pan encoder
- Tilt:** 250°, tilt encoder
- Connector:** XLR In/Out
- Onboard menu:** TFT display
- Control option:** Auto, Sound, DMX512, RDM, Master/Slave
- Cooling:** Temperature-controlled fan
- Voltage:** AC 110-240V, 50HZ
- Size:** 281.33\*189.47\*413.04mm

### PRODUCT SIZE



### COLOR EFFECTS



### PATTERN



### COLOUR





# LED BEAM LIGHT

## FT-MH300S LED 200W

### Moving Head Beam Light with LED Pixel Ring

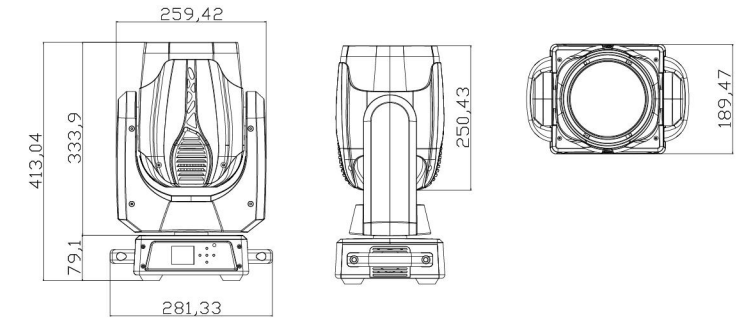
#### TECHNICAL PARAMETER



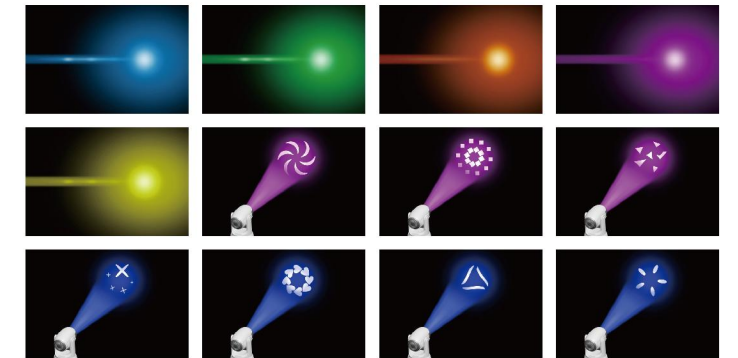
- Light source:** LED Module 200W
- Lux @ 5m:** 90000 lux
- LED ring:** 44pcs x 0.2W RGB
- Lens aperture:** 130mm
- Beam angle:** 1.8°
- Frost:** Frost filter/ Rainbow effect
- Focus:** Motorized focus
- Prism:** 24-Facet rotating prism
- Dimming:** 0 – 100% linear dimming
- Color wheel:** 13 + White
- Gobo wheel:** 16 + White
- Pan:** 540°, pan encoder
- Tilt:** 250°, tilt encoder
- Housing:** ABS + PC + PA66, Black/White for option
- Connector:** XLR In/Out
- Local user interface:** TFT display menu
- Control option:** Auto, Sound, DMX512, RDM, Master/Slave
- Cooling:** Temperature-controlled fan
- Installation methods:** Hanging on truss
- Voltage:** AC 110-240V, 50HZ
- NW:** 8.59KG
- Dimension:** 281.33\*189.47\*413.04mm



#### PRODUCT SIZE



#### COLOR EFFECTS



#### PATTERN



#### COLOUR





# LED BEAM LIGHT

## FT-MH200Pro LED 120W

### Moving Head Beam Light with LED Pixel Ring

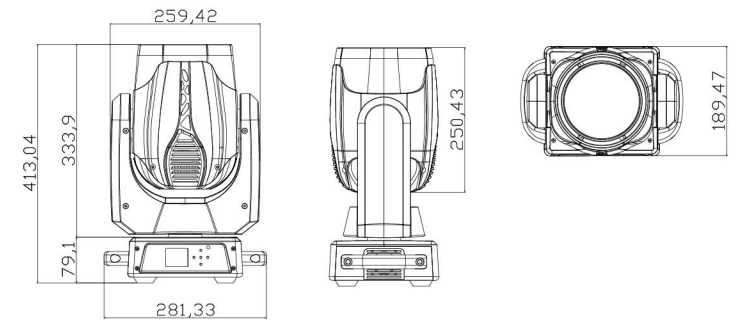
#### TECHNICAL PARAMETER



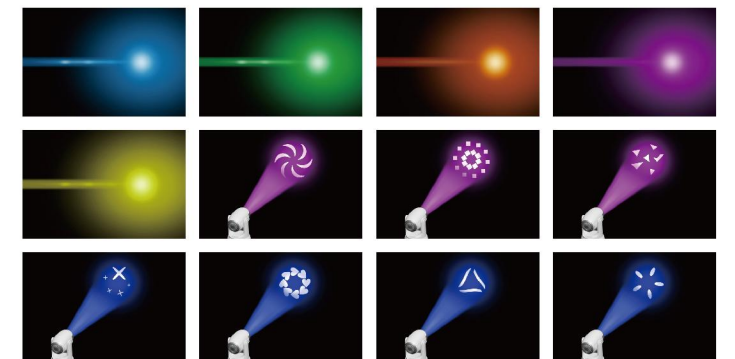
- Light source:** LED Module 120W
- Lux @ 5m:** 90000 lux
- LED ring:** 44pcs x 0.2W RGB
- Lens aperture:** 130mm
- Beam angle:** 1.8°
- Frost:** Frost filter/ Rainbow effect
- Focus:** Motorized focus
- Prism:** 24-Facet rotating prism
- Dimming:** 0 – 100% linear dimming, flicker-free
- Color wheel:** 13 + White
- Gobo wheel:** 16 + White
- Pan:** 540°, pan encoder
- Tilt:** 250°, tilt encoder
- Connector:** XLR In/Out
- Local user interface:** TFT display menu
- Control option:** Auto, Sound, DMX512, RDM, Master/Slave
- Cooling:** Temperature-controlled fan
- Installation methods:** Hanging on truss
- Voltage:** AC 110-240V, 50HZ
- NW:** 8.59KG
- Dimension:** 281.33\*189.47\*413.04mm



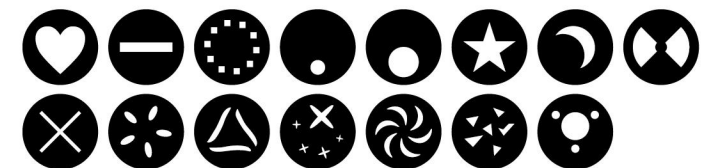
#### PRODUCT SIZE



#### COLOR EFFECTS



#### PATTERN



#### COLOUR





# LED GOBO LIGHT

FT-MH200TB

LED Moving Head Gobo Light



## TECHNICAL PARAMETER

**Light source for Gobo:** LED 150W, 11000K

**Lens aperture:** 65mm

**Beam angle:** 5° - 15° (linear scaling)

**Dimming:** 0 - 100% linear dimming

**Strobe:** High speed electronic strobe

**Prism:** 6-Facet rotating prism

**Color wheel:** 7 + 1

**Gobo wheel 1:** 7 fixed gobo + 1

**Gobo wheel 2:** 7 rotating gobo + 1

**Pan:** 540°, pan encoder

**Tilt:** 250°, tilt encoder

**Housing:** ABS + PC + PA66

**Connector:** XLR In/Out

**Onboard menu:** TFT display

**Control option:** Auto, Sound, DMX512 (16CH), RDM, Master/Slave

**Cooling:** Temperature-controlled fan

**Installation methods:** Hanging on truss

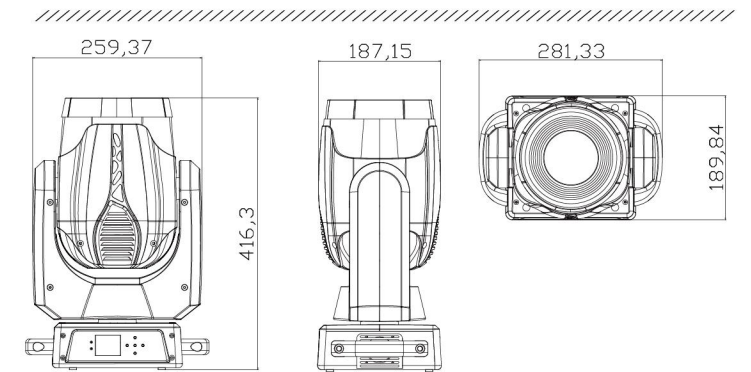
**Voltage:** AC 110-240V, 50HZ

**NW:** 8.6KG

**Dimension:** 281.33\*189.84\*416.3mm



## PRODUCT SIZE



## COLOR EFFECTS



## COLOUR







# 03

## SERIES RS

Professional LED Moving Heads



# LED WASH LIGHT

## FT-RS740DFJ

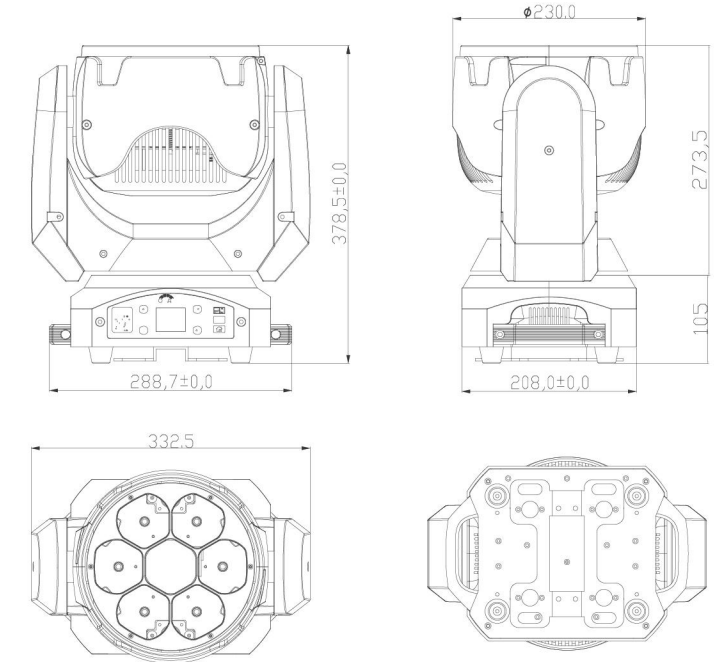
### LED Moving Head Wash Light with Zoom



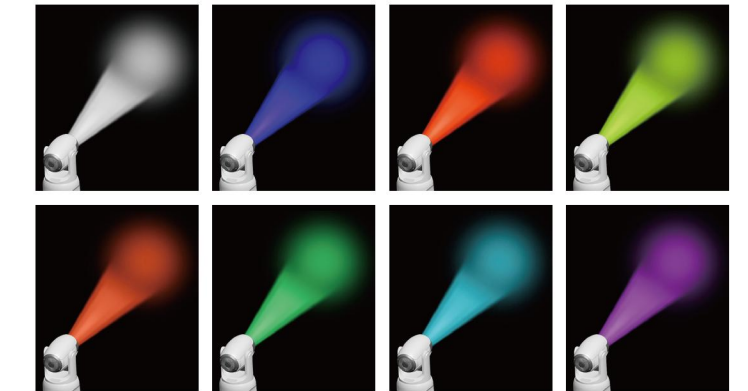
#### TECHNICAL PARAMETER

- Light source:** LED 7 x 40W RGBW Osram
- Variable CTO:** 2500K to 8000K
- Lens aperture:** 55mm x 7
- Beam angle:** Zoom 5 - 40°
- Bee Eyes :** 5 - 55°
- Dimming:** Pixel control 0 - 100% linear dimming, flicker-free
- Strobe:** High speed electronic strobe
- Pan:** 540°, pan encoder
- Tilt:** 250°, tilt encoder
- Housing case:** ABS+PC+PA66, Black/White for option
- Connector:** XLR In/Out
- Onboard menu:** TFT display
- Control option:** Auto, Sound, DMX512, RDM, Master/Slave
- Cooling:** Temperature-controlled fan
- Installation methods:** Hanging on truss
- Voltage:** AC 110-240V, 50HZ
- NW:** 12.6KG
- Dimension:** 332.5\*208\*378.5mm

#### PRODUCT SIZE



#### COLOR EFFECTS



#### COLOUR





# LED WASH LIGHT

## FT-RS1240FJ

### LED Moving Head Wash Light with Zoom



#### TECHNICAL PARAMETER

**Light source:** LED 12 x 40W RGBW Osram

**Variable CTO:** 2500K to 8000K

**Lens aperture:** 55mm x 7

**Beam angle:** Zoom 5 - 40°

**Bee Eyes :** 5 - 55°

**Dimming:** Pixel control 0 - 100% linear dimming, flicker-free

**Strobe:** High speed electronic strobe

**Pan:** 540°, pan encoder

**Tilt:** 250°, tilt encoder

**Housing case:** ABS+PC+PA66, Black/White for option

**Connector:** XLR In/Out

**Onboard menu:** TFT display

**Control option:** Auto, Sound, DMX512, RDM, Master/Slave

**Cooling:** Temperature-controlled fan

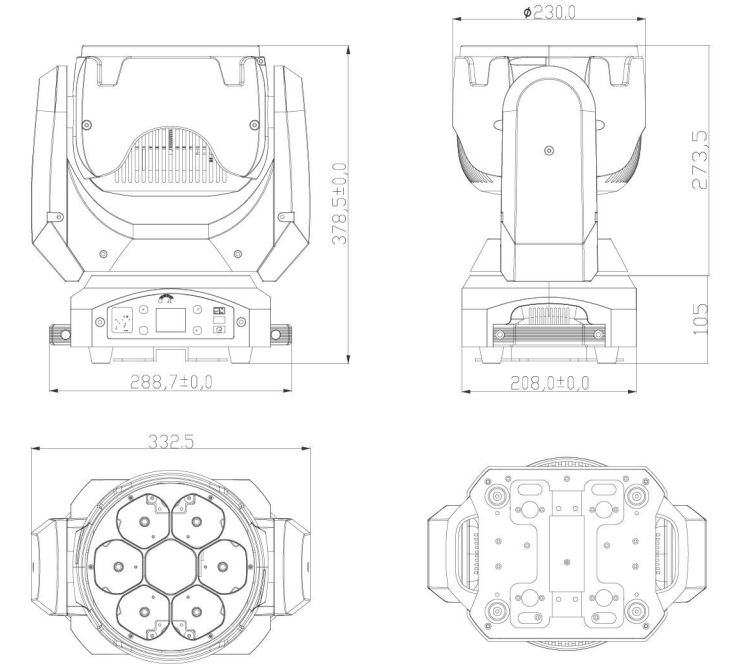
**Installation methods:** Hanging on truss

**Voltage:** AC 110-240V, 50HZ

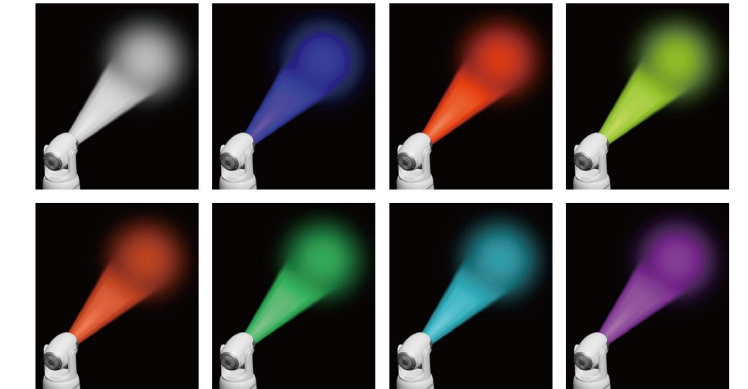
**NW:** 12.6KG

**Dimension:** 332.5\*208\*378.5mm

#### PRODUCT SIZE



#### COLOR EFFECTS



#### COLOUR





# LED WASH LIGHT

## FT-RS460

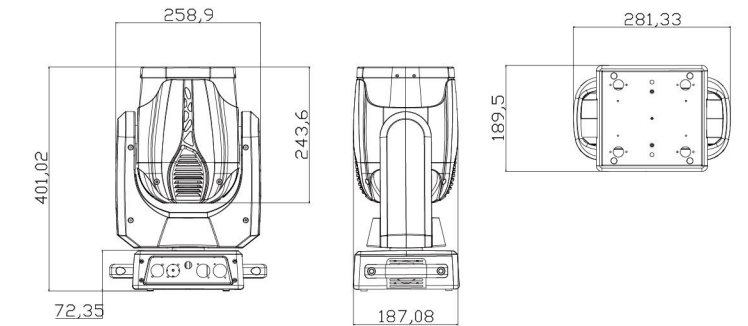
### LED Bee Eyes Moving Head Wash Light with Zoom



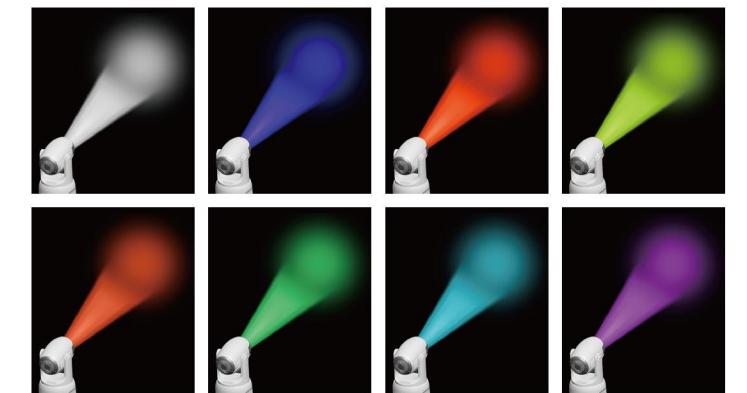
#### TECHNICAL PARAMETER

- Light source:** LED 4 x 60W RGBW
- Variable CTO:** 2500K to 8000K
- Lens aperture:** 50mm x 4
- Beam angle:** Zoom 5 - 45°
- Dimming:** 0 - 100% linear dimming
- Strobe:** High speed electronic strobe
- Pan:** 540°, pan encoder
- Tilt:** 270°, tilt encoder
- Housing case:** ABS+PC+PA66, Black/White for option
- Connector:** XLR In/Out
- Onboard menu:** TFT display
- Control option:** Auto, Sound, DMX512 (15CH), RDM, Master/Slave
- Cooling:** Temperature-controlled fan
- Installation methods:** Hanging on truss
- Voltage:** AC 110-240V, 50HZ
- NW:** 13.8KG
- Dimension:** 281.33\*189.5\*401.02mm

#### PRODUCT SIZE



#### COLOR EFFECTS



#### COLOUR







# 04

## SERIES F

Versatile LED Moving Heads



# LED BEAM LIGHT

## FT-F200S

### LED Moving Head Beam Light with LED Pixel Ring

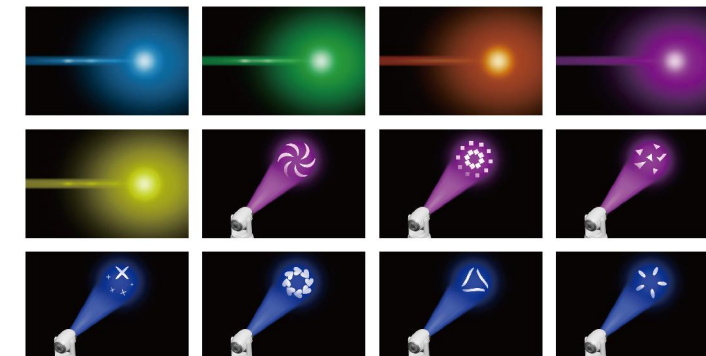


#### TECHNICAL PARAMETER

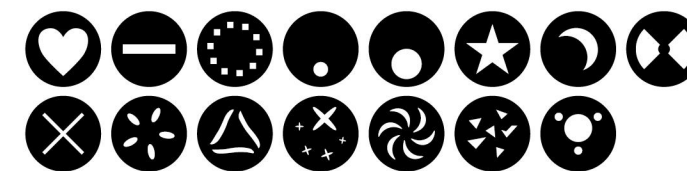
- Light source:** LED Module 150W, 10000K
- Lux @ 5m:** 115000 lux
- LED ring:** 44pcs x 0.2W RGB
- Lens aperture:** 130mm
- Beam angle:** 1.8°
- Frost:** Frost filter
- Focus:** Motorized focus
- Prism:** 24-Facet rotating prism
- Color wheel:** 8 + 1
- Gobo wheel:** 10 + 1
- Pan:** 540°
- Tilt:** 190°
- Housing:** ABS + PC + PA66, Black/White for option
- Connector:** XLR In/Out
- Onboard menu:** TFT display
- Control option:** Auto, Sound, DMX512, RDM, Master/Slave
- Cooling:** Temperature-controlled fan
- Installation methods:** Hanging on truss, Surface, Conceal mounted
- Voltage:** AC 110-240V, 50HZ



#### COLOR EFFECTS



#### PATTERN



#### COLOUR





# LED 3-IN-1 LIGHT

FT-F380W LED Moving Head

3-IN-1 Beam Spot Wash Light with Zoom

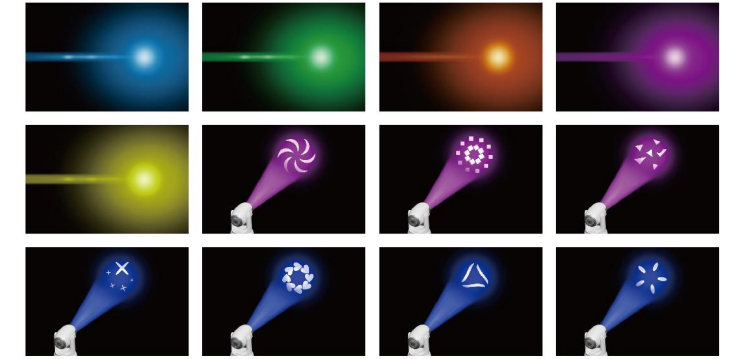


## TECHNICAL PARAMETER

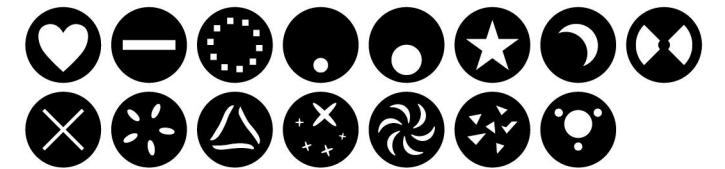
- Light source:** LED module 200W, 6000K
- Lens aperture:** 95mm
- Beam angle:** Zoom 4-45°
- Frost:** Frost filter
- Dimming:** 0 - 100% linear dimming
- Focus:** Motorized focus
- Prism:** 6\*25° bilateral rotation
- Strobe:** High speed electronic strobe
- Color wheel:** 7 + 1
- Gobo wheel 1:** Fixed, 8 + 1
- Gobo wheel:** Rotating, 7 + 1
- Pan:** 540°, pan encoder
- Tilt:** 250°, tilt encoder
- Connector:** XLR In/Out
- Onboard menu:** TFT display
- Control option:** Auto, Sound, DMX512 (14CH), RDM, Master/Slave
- Cooling:** Temperature-controlled fan
- Voltage:** AC 110-240V, 50HZ



## COLOR EFFECTS



## PATTERN



## COLOUR





# LED WASH LIGHT

FT-F740EJ

LED Bee Eyes Moving Head Wash Light with Zoom

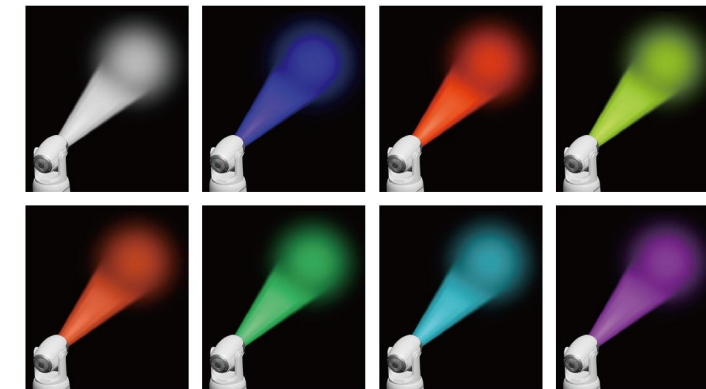


## TECHNICAL PARAMETER

- Light source:** LED 7 x 40W RGBW Osram
- Lens aperture:** 140mm 7-in-1
- Beam angle:** Zoom 4-45°
- Bee eyes:** Unlimited bilateral rotation effect
- Dimming:** 0 – 100% linear dimming
- Pan:** 540°
- Tilt:** 190°
- Housing:** ABS + PC + PA66, Black/White for option
- Connector:** XLR In/Out
- Onboard menu:** TFT display
- Control option:** Auto, Sound, DMX512, RDM, Master/Slave
- Cooling:** Temperature-controlled fan
- Installation:** Hanging on truss, Surface, Conceal mounted
- Voltage:** AC 110-240V, 50HZ



## COLOR EFFECTS



## COLOUR







# 05

## SERIES E+

Versatile LED Moving Heads



# LED BEAM LIGHT

## FT-E200S

### LED Moving Head Beam Light

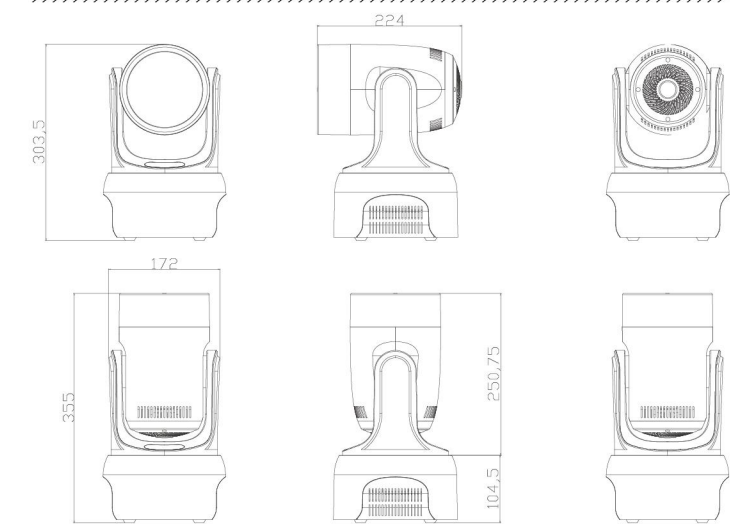


#### TECHNICAL PARAMETER

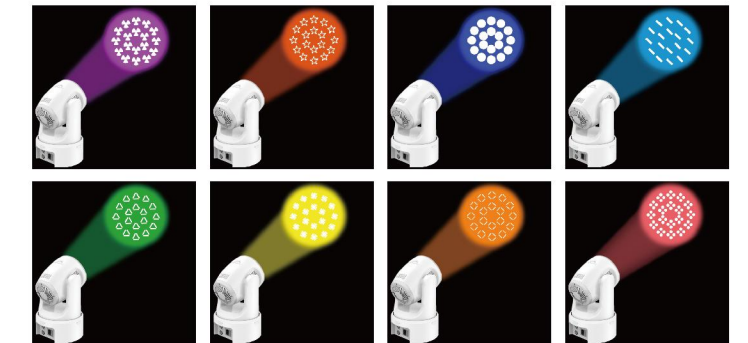
- Light source:** LED module 120W, 8000K
- Lens aperture:** 120mm
- Beam angle:** 2°
- Lux @ 4.5m:** 90000 lux
- Dimming:** 0 – 100% linear dimming, flicker-free
- Fixed focus:** 4-4.5m
- Prism:** 18-Facet rotating prism
- Strobe:** High speed electronic strobe
- Color wheel:** 8 + 1
- Gobo wheel:** 10 + 1
- Pan:** 540°
- Tilt:** 190°
- Connector:** RJ45 In/Out
- Onboard menu:** LED display
- Control option:** Auto, Sound, DMX512 (14CH), RDM, Master/Slave
- Cooling:** Temperature-controlled fan
- Installation methods:** Hanging on truss, Surface, Conceal mounted  
(Hole-cutting diameter: 220mm, Hole-cutting depth: ≥ 110mm)
- Voltage:** AC 110-240V, 50HZ
- NW:** 5.4KG
- Dimension:** 192\*189.57\*355mm



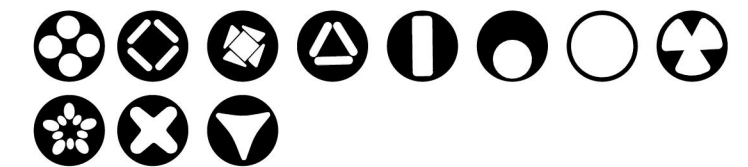
#### PRODUCT SIZE



#### COLOR EFFECTS



#### PATTERN



#### COLOUR





# LED BEAM LIGHT

## FT-E180MAX

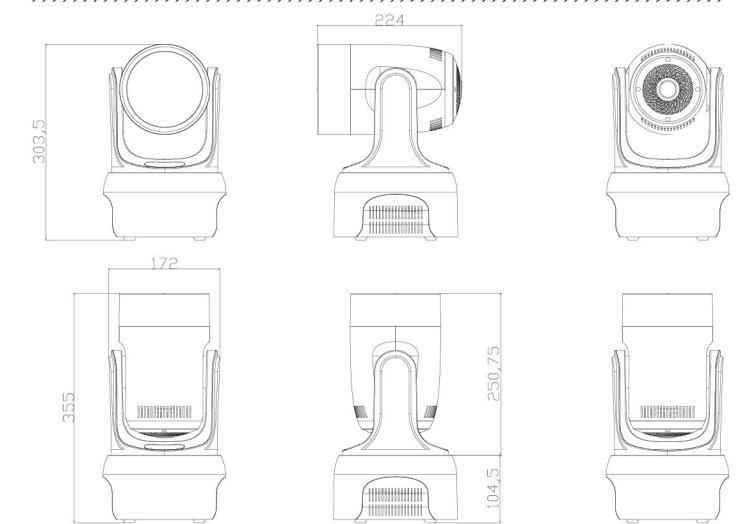
### LED Moving Head Beam Light

#### TECHNICAL PARAMETER

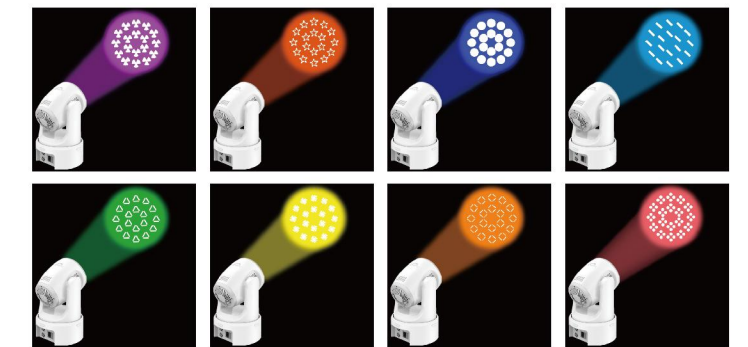
- Light source:** LED 120W, 8000K
- Lens aperture:** 120mm
- Beam angle:** 2°
- Frost:** Frost filter
- Dimming:** 0 – 100% linear dimming
- Fixed-focus:** 4–4.5m
- Prism:** 18-Facet rotating prism
- Strobe:** High speed electronic strobe
- Color wheel:** 8 + 1
- Gobo wheel:** 10 + 1
- Pan:** 540°, pan encoder
- Tilt:** 180°, tilt encoder
- Housing:** ABS + PC, Black/White for option
- Connector:** RJ45 In/Out
- Onboard menu:** LED display
- Control option:** Auto, Sound, DMX512 (14CH/10CH), RDM, Master/Slave
- Cooling:** Temperature-controlled fan
- Installation methods:** Hanging on truss, Surface, Conceal mounted (Hole-cutting diameter: 220mm, Hole-cutting depth: ≥ 110mm)
- Voltage:** AC 110–240V, 50HZ
- NW:** 5.4KG
- Dimension:** 192\*189.57\*355mm



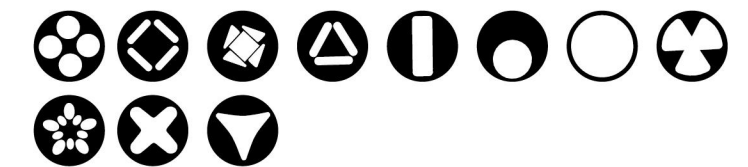
#### PRODUCT SIZE



#### COLOR EFFECTS



#### PATTERN



#### COLOUR





# LED BEAM LIGHT

FT-E180S

LED Moving Head Beam Light

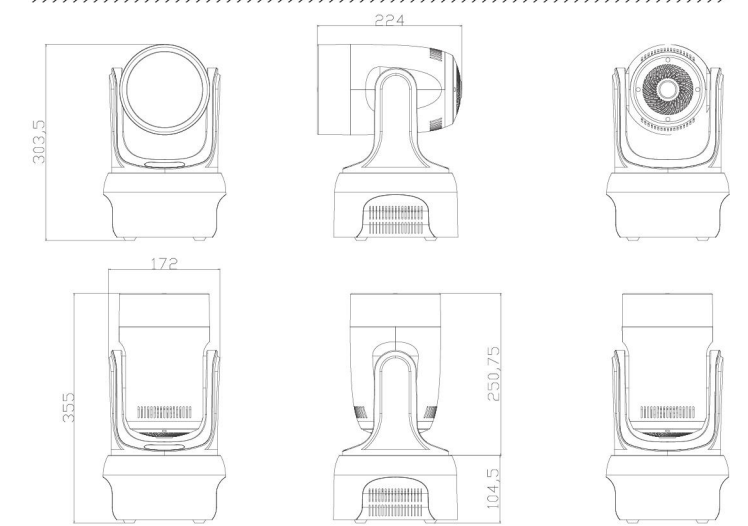


## TECHNICAL PARAMETER

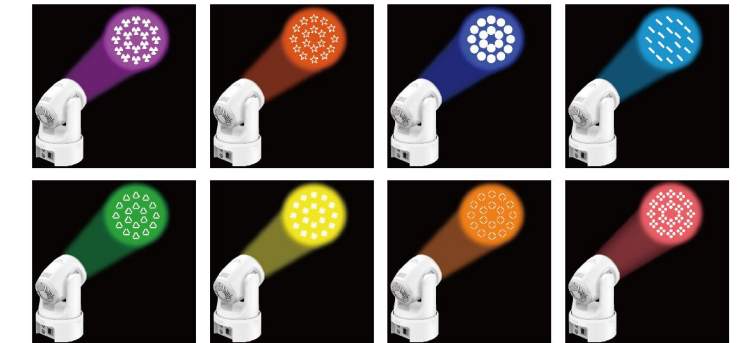
- Light source:** LED 120W, 8000K
- Lens aperture:** 120mm
- Beam angle:** 2°
- Dimming:** 0 – 100% linear dimming
- Fixed-focus:** 4–4.5m
- Prism:** 18-Facet rotating prism
- Strobe:** High speed electronic strobe
- Color wheel:** 8 + 1
- Gobo wheel:** 10 + 1
- Pan:** 540°
- Tilt:** 180°
- Housing:** ABS + PC, Black/White for option
- Connector:** RJ45 In/Out
- Onboard menu:** LED display
- Control option:** Auto, Sound, DMX512 (14CH/10CH), RDM, Master/Slave
- Cooling:** Temperature-controlled fan
- Installation methods:** Hanging on truss, Surface, Conceal mounted  
(Hole-cutting diameter: 220mm, Hole-cutting depth: ≥ 110mm)
- Voltage:** AC 110–240V, 50HZ
- NW:** 5.162KG
- Dimension:** 192\*189.57\*355mm



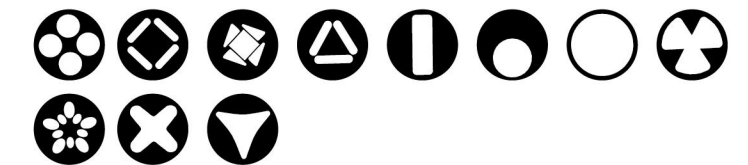
## PRODUCT SIZE



## COLOR EFFECTS



## PATTERN



## COLOUR





# LED BEAM LIGHT

## FT-E150

### LED Moving Head Beam Light

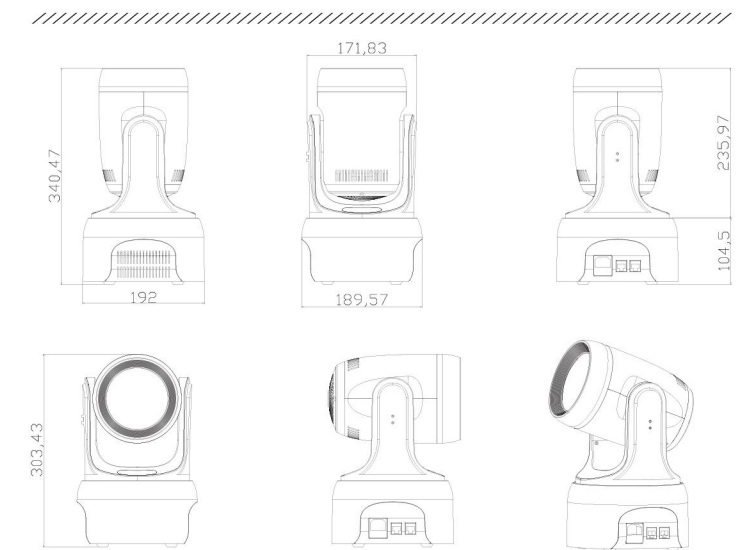


#### TECHNICAL PARAMETER

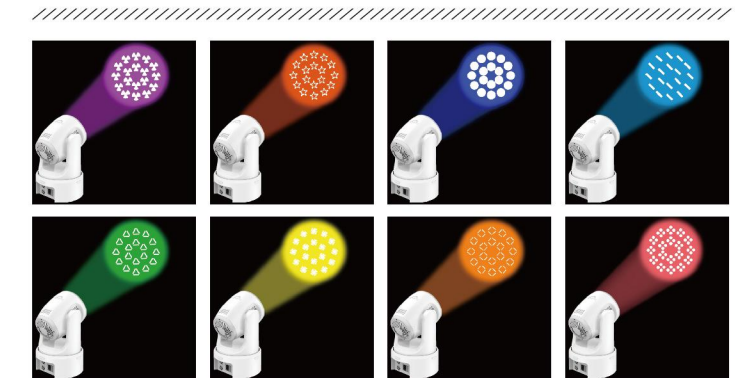
- Light source:** LED 100W, 8000K
- Lens aperture:** 100mm
- Beam angle:** 2.5°
- Dimming:** 0 – 100% linear dimming
- Fixed-focus:** 4–4.5m
- Prism:** 18-Facet rotating prism
- Strobe:** High speed electronic strobe
- Color wheel:** 8 + 1
- Gobo wheel:** 10 + 1
- Pan:** 540°
- Tilt:** 180°
- Housing:** ABS + PC, Black/White for option
- Connector:** RJ45 In/Out
- Onboard menu:** LED display
- Control option:** Auto, Sound, DMX512 (14CH/10CH), RDM, Master/Slave
- Cooling:** Temperature-controlled fan
- Installation methods:** Hanging on truss, Surface, Conceal mounted (Hole-cutting diameter: 220mm, Hole-cutting depth: ≥ 110mm)
- Voltage:** AC 110–240V, 50HZ
- NW:** 4.44KG
- Dimension:** 192\*189.57\*303.43mm



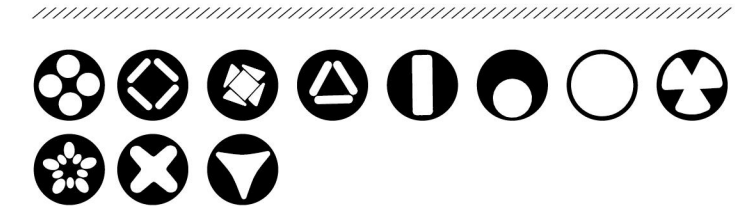
#### PRODUCT SIZE



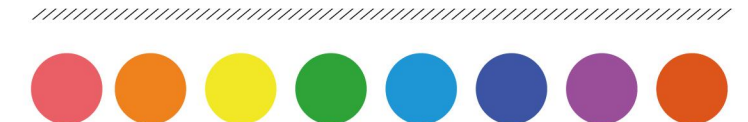
#### COLOR EFFECTS



#### PATTERN



#### COLOUR





# LED WASH LIGHT

## FT-E440F

### LED Bee Eyes Moving Head Wash Light with Zoom

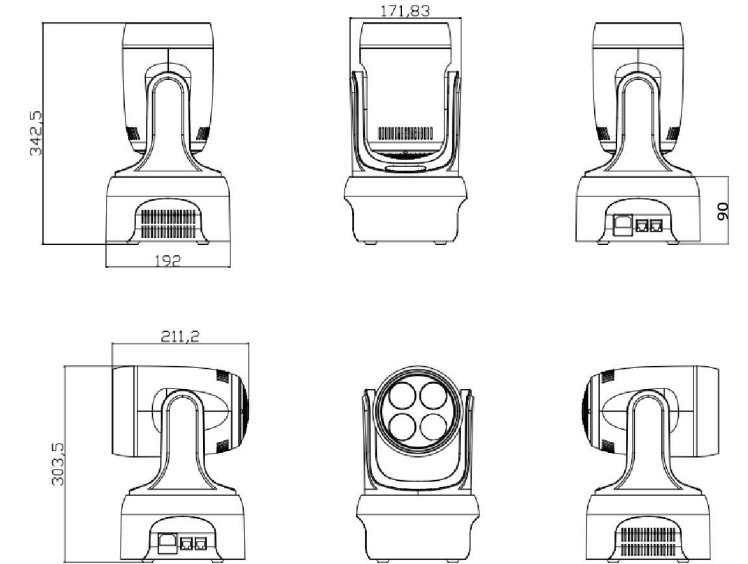


#### TECHNICAL PARAMETER

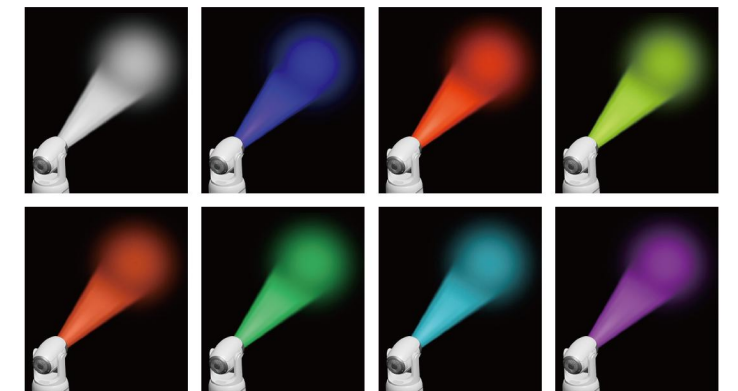
- Light source:** LED 4 x 40W RGBW Cree
- Lens aperture:** 40mm x4
- Beam angle:** Zoom 5-45°
- Dimming:** 0 - 100% linear dimming
- Pan:** 540°
- Tilt:** 180°
- Housing case:** ABS+PC, Black/White for option
- Connector:** RJ45 In/Out
- Onboard menu:** LED display
- Control option:** Auto, Sound, DMX512 (17CH/18CH), RDM, Master/Slave
- Cooling:** Temperature-controlled fan
- Installation methods:** Hanging on truss, Surface, Conceal mounted (Hole-cutting diameter: 220mm, Hole-cutting depth: ≥ 110mm)
- Voltage:** AC 110-240V, 50HZ
- NW:** 4.21KG
- Dimension:** 192\*189.57\*303.5mm



#### PRODUCT SIZE



#### COLOR EFFECTS



#### COLOUR





# LED WASH GOBO LIGHT

FT-E6120

LED Moving Head Wash Gobo Light

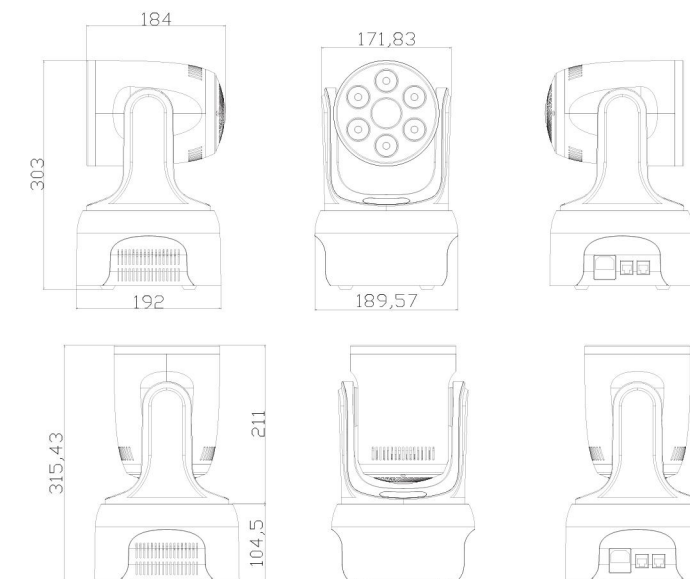


## TECHNICAL PARAMETER

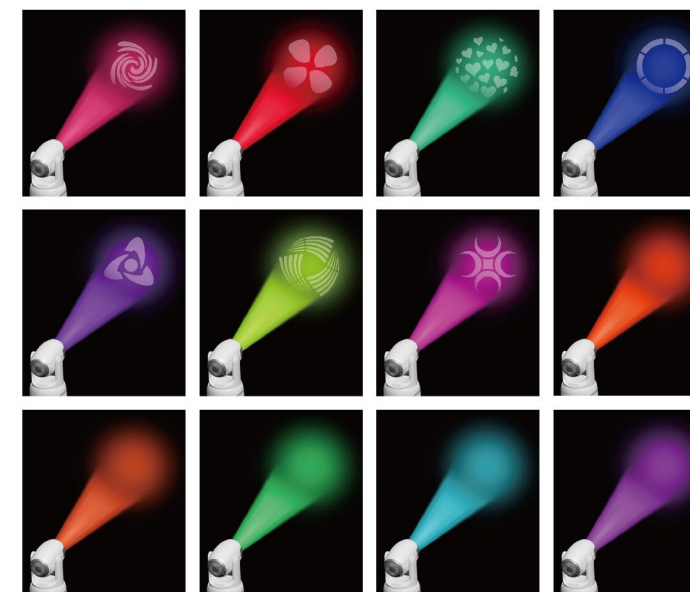
- Light source for Gobo:** LED 100W, 11000K
- Light source for Wash:** LED 6 x 10W RGBW
- Lens aperture:** 29mmx6 for Wash, 50mm for Gobo
- Beam angle:** 25° for Wash, 11° for Gobo
- Dimming:** 0 – 100% linear dimming, linear color mixing
- Prism:** 6-Facet rotating prism
- Gobo wheel:** 7 + 1
- Color wheel:** 7 + 1
- Pan:** 540°
- Tilt:** 180°
- Housing:** ABS + PC, Black/White for option
- Connector:** RJ45 In/Out
- Onboard menu:** LED display
- Control option:** Auto, Sound, DMX512 (19CH/20CH), RDM, Master/Slave
- Cooling:** Temperature-controlled fan
- Installation methods:** Hanging on truss, Surface, Conceal mounted (Hole-cutting diameter: 220mm, Hole-cutting depth: ≥ 110mm)
- Voltage:** AC 110-240V, 50HZ
- NW:** 3.9KG
- Dimension:** 192\*189.57\*315.43mm



## PRODUCT SIZE



## COLOR EFFECTS



## PATTERN



## COLOUR





# LED GOBO LIGHT

FT-E90TB

LED Moving Head Gobo Light

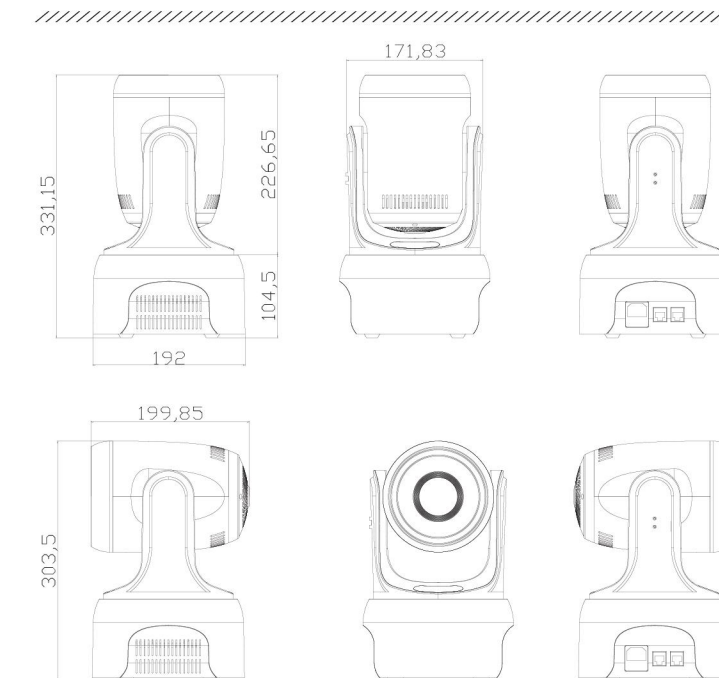


## TECHNICAL PARAMETER

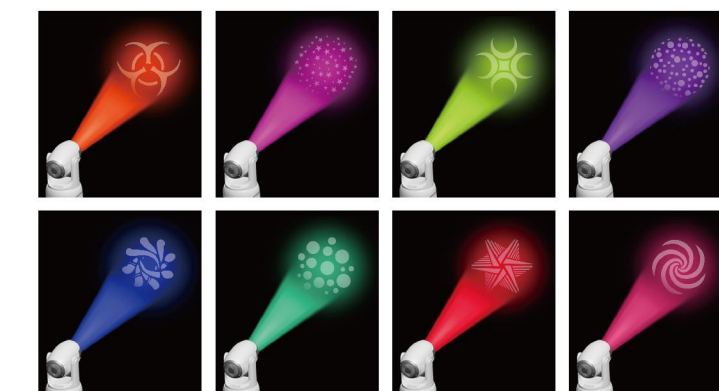
- Light source for Gobo:** LED 80W, 11000K
- Lens aperture:** 60mm
- Beam angle:** 12°
- Dimming:** 0 – 100% linear dimming, linear color mixing
- Prism:** 5-Facet rotating prism
- Gobo wheel:** 7 + 1
- Color wheel:** 7 + 1
- Pan:** 540°
- Tilt:** 180°
- Housing:** ABS + PC, Black/White for option
- Connector:** RJ45 In/Out
- Onboard menu:** LED display
- Control option:** Auto, Sound, DMX512, RDM, Master/Slave
- Cooling:** Temperature-controlled fan
- Installation methods:** Hanging on truss, Surface, Conceal mounted (Hole-cutting diameter: 220mm, Hole-cutting depth: ≥ 110mm)
- Voltage:** AC 110–240V, 50HZ
- NW:** 3.794KG
- Dimension:** 192\*189.57\*303.5mm



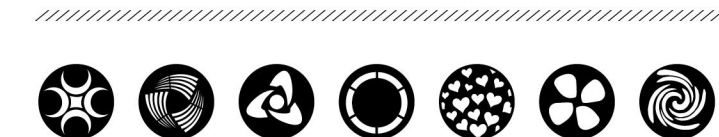
## PRODUCT SIZE



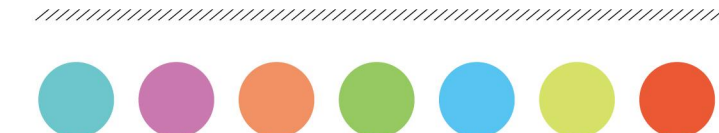
## COLOR EFFECTS



## PATTERN



## COLOUR





# LED WASH LIGHT

FT-E715

LED Moving Head Wash Light

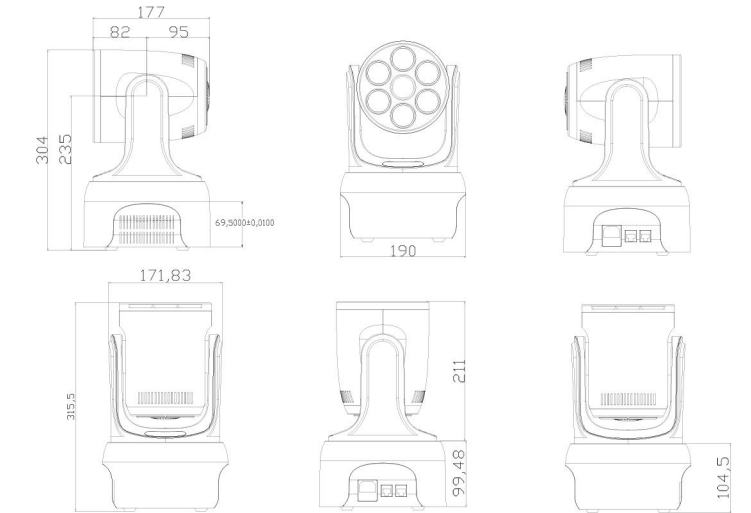


## TECHNICAL PARAMETER

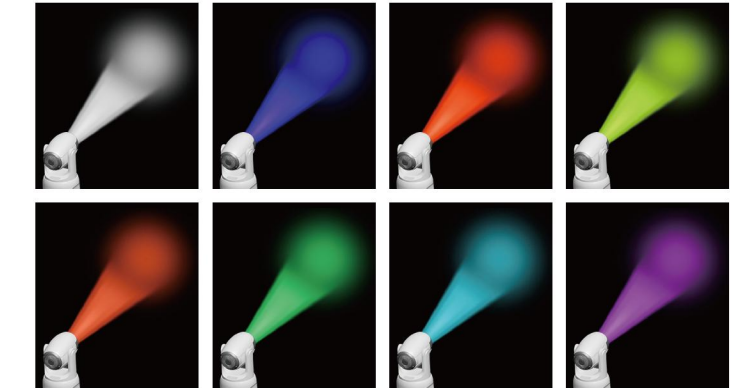
- Light source:** LED 7 x 15W RGBW Cree
- Lens aperture:** 35mm x 7
- Beam angle:** 25°
- Dimming:** 0 – 100% linear dimming, flicker free
- Pan:** 540°
- Tilt:** 180°
- Housing case:** ABS+PC, Black/White for option
- Connector:** RJ45 In/Out
- Onboard menu:** LED display
- Control option:** Auto, Sound, DMX512 (14CH/15CH), RDM, Master/Slave
- Cooling:** Temperature-controlled fan
- Installation methods:** Hanging on truss, Surface, Conceal mounted (Hole-cutting diameter: 220mm, Hole-cutting depth: ≥ 110mm)
- Voltage:** AC 110-240V, 50HZ
- NW:** 3.9kg
- Dimension:** 192\*190\*315.5mm



## PRODUCT SIZE



## COLOR EFFECTS



## COLOUR







# 06

## SERIES E

Versatile LED Moving Heads



# LED WASH LIGHT

FT-E420

LED Moving Head Wash Light

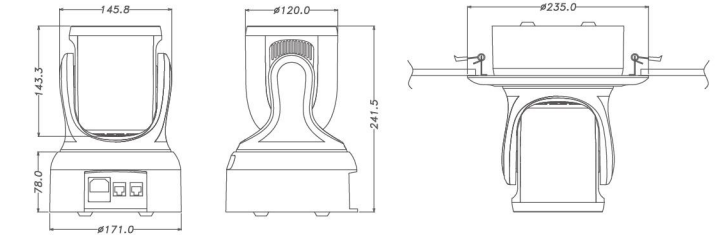


## TECHNICAL PARAMETER

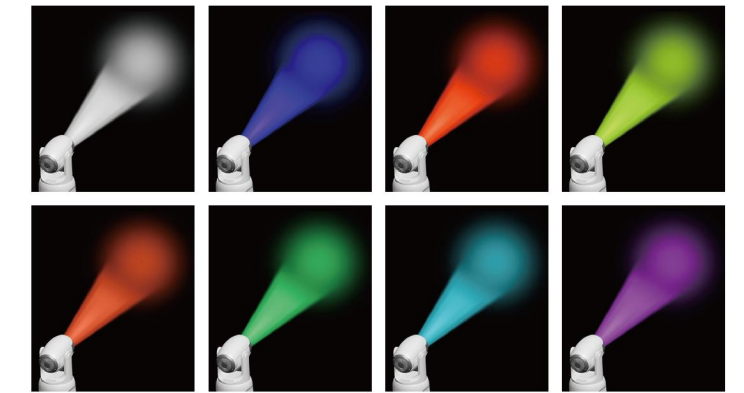
- Light source:** LED 4 x 20W RGBW Osram
- Lens aperture:** 45mm x4
- Beam angle:** 25°
- Variable CTO:** 2500K - 8000K
- Pan:** 540°
- Tilt:** 270°
- Housing case:** ABS+PC, Black/White for option
- Connector:** RJ45 In/Out
- Onboard menu:** LED display
- Control option:** Auto,Sound, DMX512 (19CH/20CH), RDM, Master/Slave
- Cooling:** Temperature-controlled fan
- Installation methods:** Hanging on truss, Surface, Conceal mounted  
(Hole-cutting diameter: 190/205mm, Hole-cutting depth: ≥ 100mm)
- Voltage:** AC 110-240V, 50HZ
- NW:** 2.562KG
- Dimension:** 171\*171\*241.5mm



## PRODUCT SIZE



## COLOR EFFECTS



## COLOUR





# LED GOBO LIGHT

## FT-E630K

### LED Moving Head Wash Gobo Light

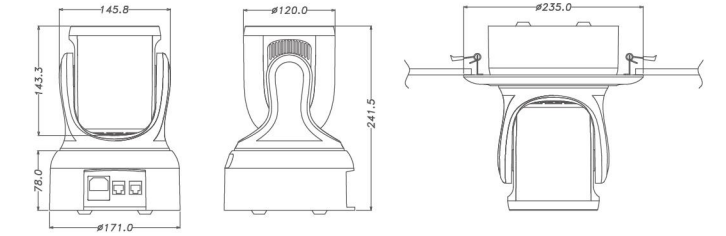
#### TECHNICAL PARAMETER



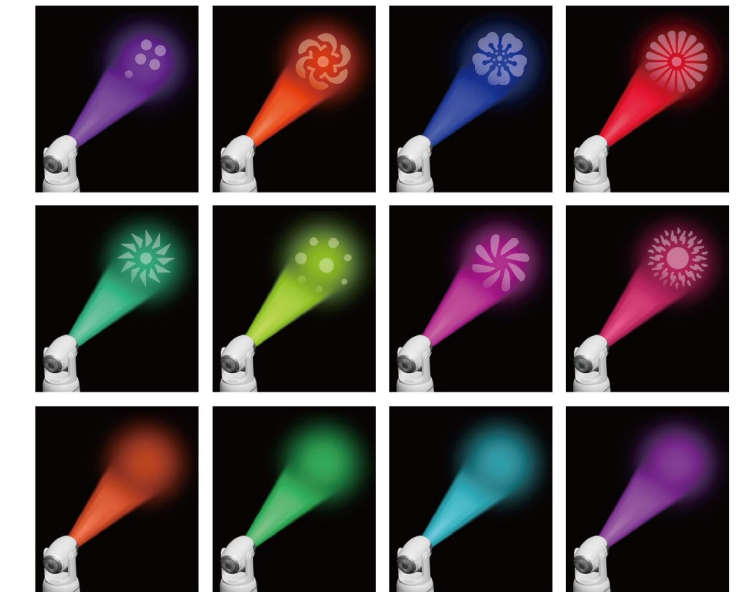
**Light source for Gobo:** LED 1 x 30W Osram, 11000K  
**Light source for Wash:** LED 6 x 8W RGBW  
**Lens aperture:** 29mm\*6 for Wash, 35mm for Gobo  
**Beam angle:** 17° for Wash, 8° for Gobo  
**Housing:** ABS + PC  
**Gobo wheel:** 7 + 1  
**Color wheel:** 7 + 1  
**Pan:** 540°  
**Tilt:** 270°  
**Housing:** ABS + PC, Black/White for option  
**Connector:** RJ45 In/Out  
**Onboard menu:** LED display  
**Control option:** Auto, Sound, DMX512 (19CH/20CH), RDM, Master/Slave  
**Cooling:** Temperature-controlled fan  
**Installation methods:** Hanging on truss, Surface, Conceal mounted (Hole-cutting diameter: 190/205mm, Hole-cutting depth: ≥ 100mm)  
**Voltage:** AC 110-240V, 50HZ  
**NW:** 2.29KG  
**Dimension:** 171\*171\*241.5mm



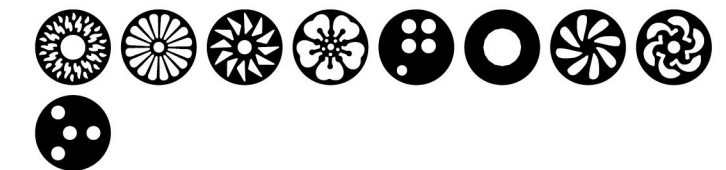
#### PRODUCT SIZE



#### COLOR EFFECTS



#### PATTERN



#### COLOUR



# LED BEAM LIGHT

FT-E90S+

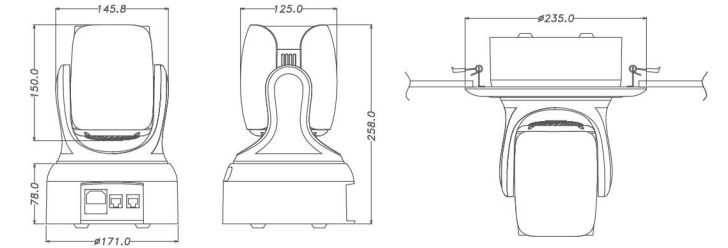
LED Moving Head Beam Light

## TECHNICAL PARAMETER

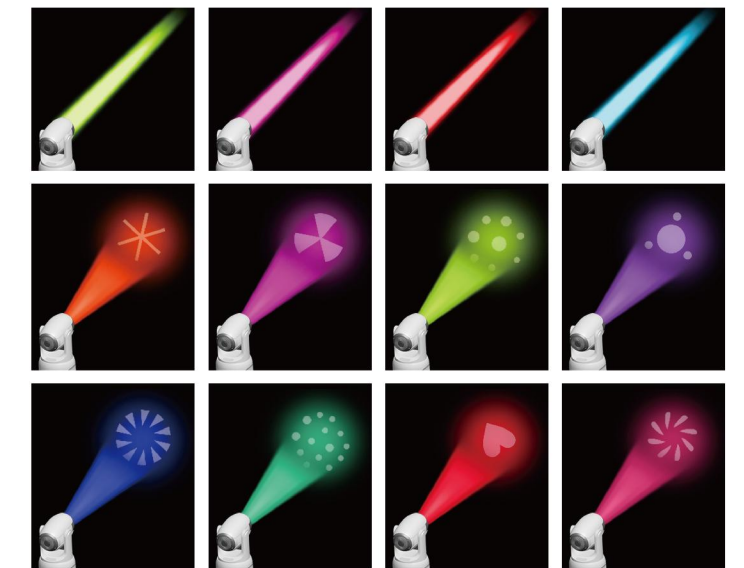
- Light source: LED 80W, 8000K
- Lens aperture: 80mm
- Beam angle: 3.5°
- Dimming: 0 – 100% linear dimming
- Fixed-focus: 3–3.5m
- Prism: 18-Facet rotating prism
- Strobe: High speed electronic strobe
- Color wheel: 7 + 1
- Gobo wheel: 7 + 1
- Pan: 540°
- Tilt: 180°
- Housing: ABS + PC, Black/White for option
- Connector: RJ45 In/Out
- Onboard menu: LED display
- Control option: Auto, Sound, DMX512 (14CH/10CH), RDM, Master/Slave
- Cooling: Temperature-controlled fan
- Installation methods: Hanging on truss, Surface, Conceal mounted (Hole-cutting diameter: 190/205mm, Hole-cutting depth: ≥ 120mm)
- Voltage: AC 110–240V, 50HZ
- NW: 2.868KG
- Dimension: 171\*171\*258mm



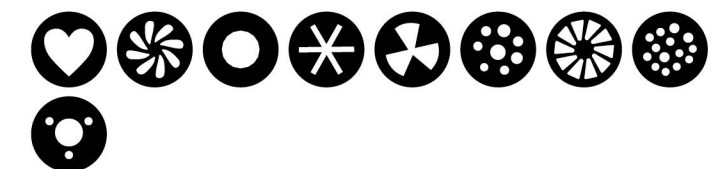
## PRODUCT SIZE



## COLOR EFFECTS



## PATTERN



## COLOUR







# 07

## SERIES A

Versatile LED Moving Heads

# LED WASH GOBO LIGHT

## FT-A63 LED Moving Head Wash Gobo Light

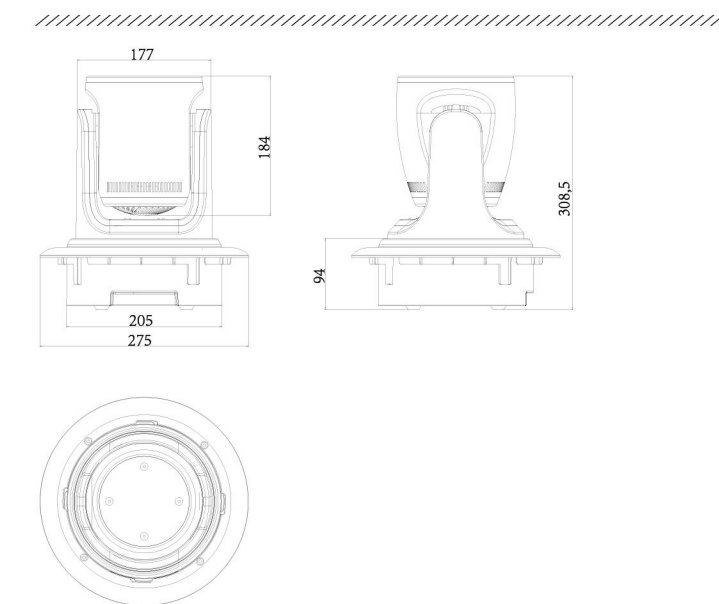


### TECHNICAL PARAMETER

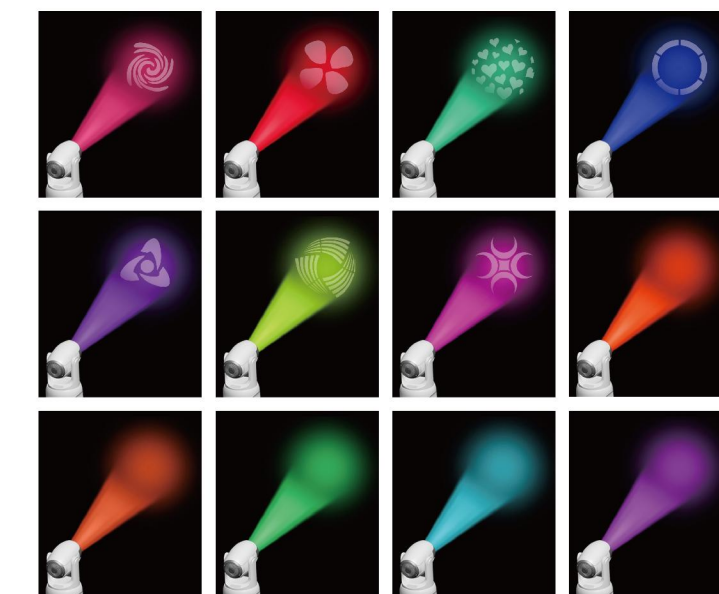
- Light source for Gobo:** LED 30W, 11000K
- Light source for Wash:** LED 6 x 10W RGBW
- Lens aperture:** 35mm\*6 for Wash, 28mm for Gobo
- Beam angle:** 25° for Wash, 13° for Gobo
- Dimming:** 0 – 100% linear dimming, linear color mixing
- Gobo wheel:** 7 + 1
- Color wheel:** 7 + 1
- Pan:** 540°
- Tilt:** 180°
- Housing :** ABS + PC, Black/White for option
- Connector:** RJ45 In/Out
- Onboard menu:** LED display
- Control option:** Auto,Sound, DMX512 (16CH), RDM, Master/Slave
- Cooling:** Temperature-controlled fan
- Installation methods:** Hanging on truss, Surface, Conceal mounted (Hole-cutting diameter: 235mm, Hole-cutting depth: ≥ 120mm)
- Voltage:** AC 110-240V, 50HZ
- NW:** 3.05KG
- Dimension:** 205\*205\*308.5mm



### PRODUCT SIZE



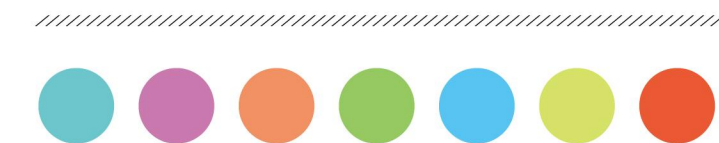
### COLOR EFFECTS



### PATTERN



### COLOUR





# LED WASH GOBO LIGHT

## FT-A65 LED Moving Head Wash Gobo Light

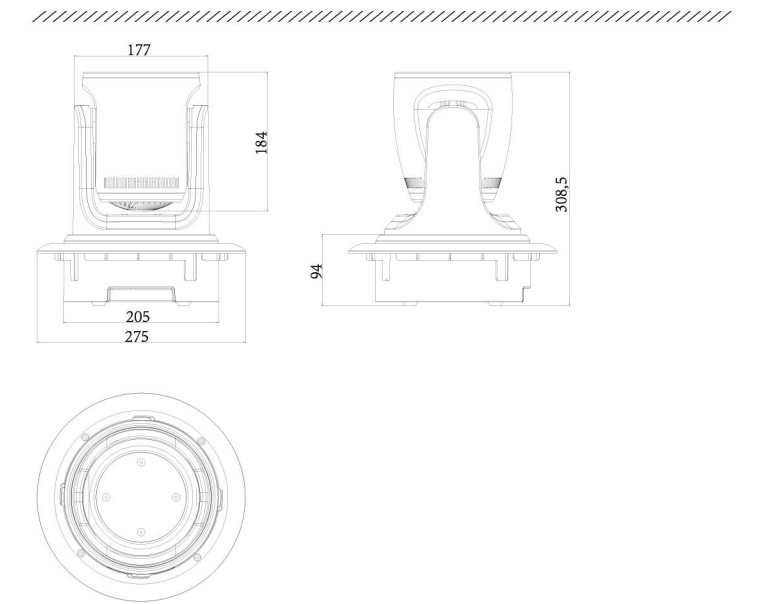


### TECHNICAL PARAMETER

- VLight source for Gobo:** LED 60W, 11000K
- Light source for Wash:** LED 6 x 10W RGBW
- Lens aperture:** 35mm for Wash, 45mm for Gobo
- Beam angle:** 25° for Wash, 12° for Gobo
- Dimming:** 0 – 100% linear dimming, linear color mixing
- Gobo wheel:** 7 + 1
- Color wheel:** 7 + 1
- Pan:** 540°
- Tilt:** 180°
- Housing:** ABS + PC, Black/White for option
- Connector:** RJ45 In/Out
- Onboard menu:** LED display
- Control option:** Auto, Sound, DMX512 (16CH), RDM, Master/Slave
- Cooling:** Temperature-controlled fan
- Installation methods:** Hanging on truss, Surface, Conceal mounted (Hole-cutting diameter: 235mm, Hole-cutting depth: ≥ 120mm)
- Voltage:** AC 110-240V, 50HZ
- NW:** 3.25KG
- Dimension:** 205\*205\*308.5mm



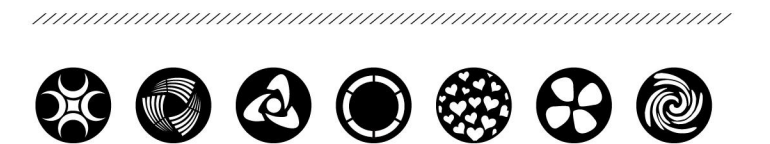
### PRODUCT SIZE



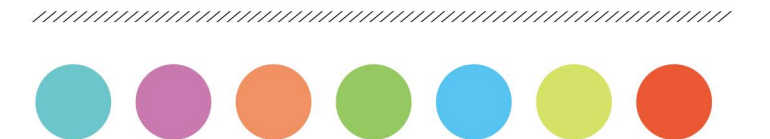
### COLOR EFFECTS



### PATTERN



### COLOUR



# LED WASH GOBO LIGHT

## FT-A66 LED Moving Head Wash Gobo Light

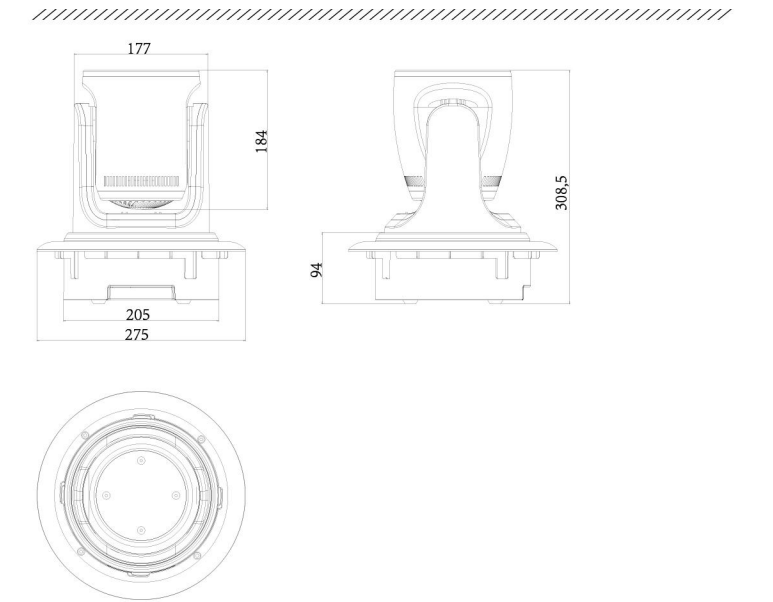


### TECHNICAL PARAMETER

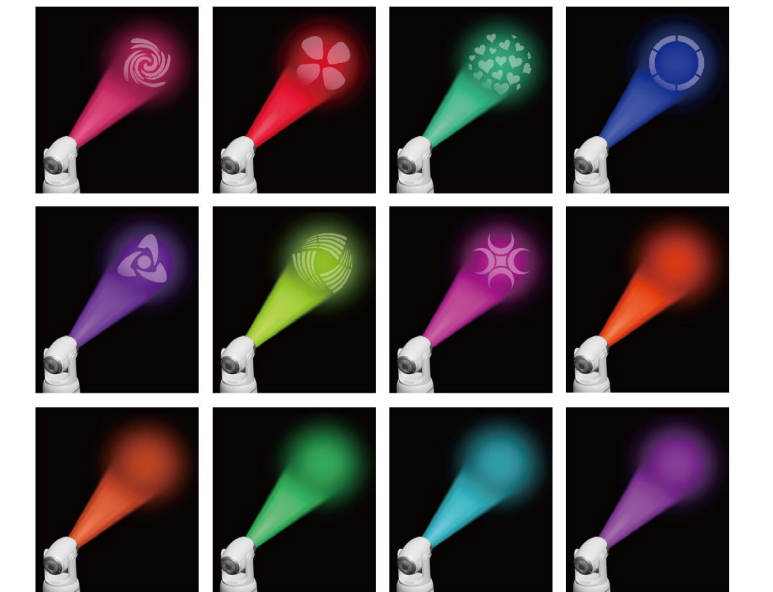
- Light source for Gobo:** LED 60W, 11000K
- Light source for Wash:** LED 6 x 10W RGBW
- Lens aperture:** 35mm\*6 for Wash, 45mm for Gobo
- Beam angle:** 25° for Wash, 12° for Gobo
- Dimming:** 0 – 100% linear dimming, linear color mixing
- Prism:** 6-Facet rotating prism
- Gobo wheel:** 7 + 1
- Color wheel:** 7 + 1
- Pan:** 540
- Tilt:** 180°
- Housing:** ABS + PC, Black/White for option
- Connector:** RJ45 In/Out
- Onboard menu:** LED display
- Control option:** Auto, Sound, DMX512 (16CH), RDM, Master/Slave
- Cooling:** Temperature-controlled fan
- Installation methods:** Hanging on truss, Surface, Conceal mounted (Hole-cutting diameter: 235mm, Hole-cutting depth: ≥ 120mm)
- Voltage:** AC 110–240V, 50HZ
- NW:** 3.25KG
- Dimension:** 205\*205\*308.5mm



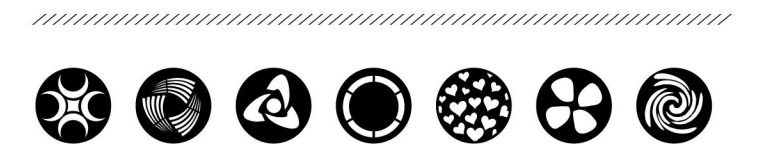
### PRODUCT SIZE



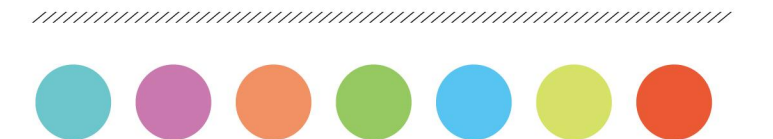
### COLOR EFFECTS



### PATTERN



### COLOUR





# LED WASH LIGHT

FT-A350FJ

LED Bee Eyes Moving Head Wash Light with Zoom

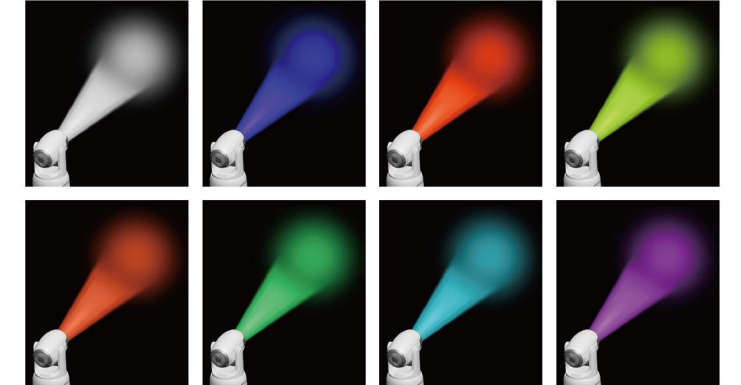


## TECHNICAL PARAMETER

- Light source:** LED 3 x 50W RGBLACP Osram
- Lens aperture:** 55mm x 3
- Beam angle:** Zoom 2-35°
- Bee eyes:** Unlimited bilateral rotation 2-55°
- Dimming:** 0 - 100% linear dimming, flicker-free
- Pan:** 540°
- Tilt:** 180°
- Housing case:** ABS+PC, Black/White for option
- Connector:** RJ45 In/Out
- Onboard menu:** LED display
- Control option:** Auto, Sound, DMX512, RDM, Master/Slave
- Cooling:** Temperature-controlled fan
- Installation methods:** Hanging on truss, Surface, Conceal mounted (Hole-cutting diameter: 235mm, Hole-cutting depth: ≥ 120mm)
- Voltage:** AC 110-240V, 50HZ
- NW:** 4.21KG
- Dimension:** 200.32\*200.32\*342.5mm



## COLOR EFFECTS



## COLOUR



# LED BEAM LIGHT

## FT-A50

### LED Moving Head Beam Light with LED Pixel Ring

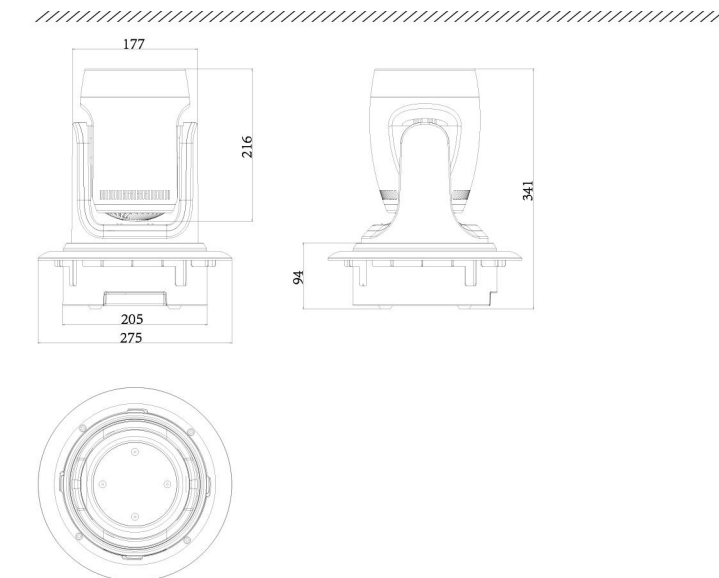


#### TECHNICAL PARAMETER

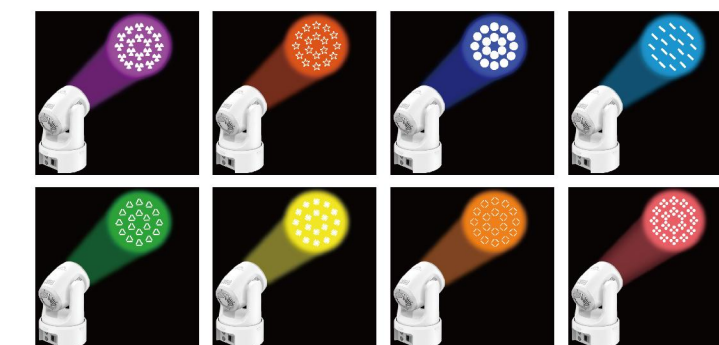
- Light source:** LED 100W, 8000K
- LED ring:** 32pcs x 0.2W RGB LED pixel ring
- Lens aperture:** 100mm
- Beam angle:** 2.5°
- Dimming:** 0 – 100% linear dimming
- Fixed-focus:** 4 – 4.5m
- Prism:** 18-Facet rotating prism
- Strobe:** High speed electronic strobe
- Color wheel:** 8 + 1
- Gobo wheel:** 10 + 1
- Pan:** 540°
- Tilt:** 180°
- Housing:** ABS + PC, Black/White for option
- Connector:** RJ45 In/Out
- Onboard menu:** LED display
- Control option:** Auto, Sound, DMX512 (14CH), RDM, Master/Slave
- Cooling:** Temperature-controlled fan
- Installation methods:** Hanging on truss, Surface, Conceal mounted (Hole-cutting diameter: 235mm, Hole-cutting depth: ≥ 120mm)
- Voltage:** AC 110-240V, 50HZ
- NW:** 3.75KG
- Dimension:** 205\*205\*341mm



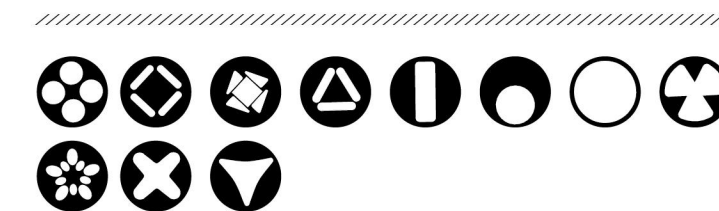
#### PRODUCT SIZE



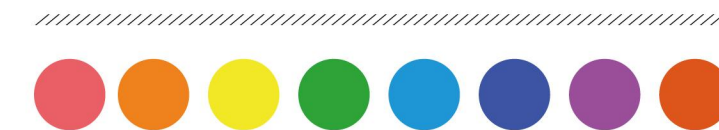
#### COLOR EFFECTS



#### PATTERN



#### COLOUR





# LED BEAM LIGHT

FT-A80

LED Moving Head Beam Light

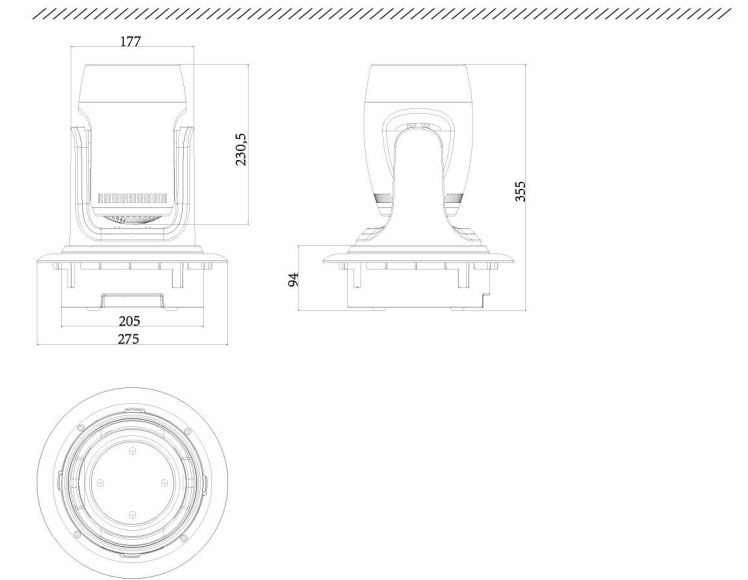


## TECHNICAL PARAMETER

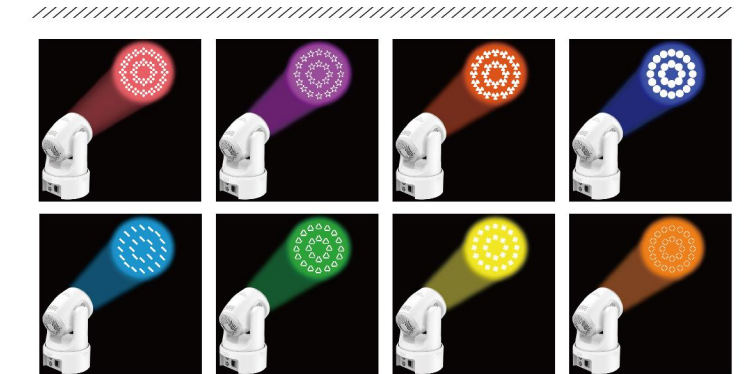
- Light source:** LED 120W, 8000K
- Lens aperture:** 120mm
- Beam angle:** 2°
- Dimming:** 0 – 100% linear dimming
- Fixed-focus:** 4 – 4.5m
- Prism:** 24-Facet rotating prism
- Strobe:** High speed electronic strobe
- Color wheel:** 8 + 1
- Gobo wheel:** 10 + 1
- Pan:** 540°
- Tilt:** 180°
- Housing:** ABS + PC, Black/White for option
- Connector:** RJ45 In/Out
- Onboard menu:** LED display
- Control option:** Auto, Sound, DMX512 (14CH), RDM, Master/Slave
- Cooling:** Temperature-controlled fan
- Installation methods:** Hanging on truss, Surface, Conceal mounted (Hole-cutting diameter: 235mm, Hole-cutting depth: ≥ 120mm)
- Voltage:** AC 110–240V, 50HZ
- NW:** 4.55KG
- Dimension:** 205\*205\*355mm



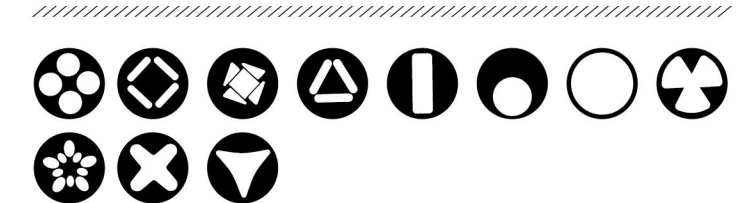
## PRODUCT SIZE



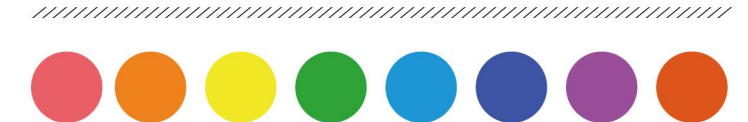
## COLOR EFFECTS



## PATTERN



## COLOUR



# LED BEAM LIGHT

FT-A200S

LED Moving Head Beam Light

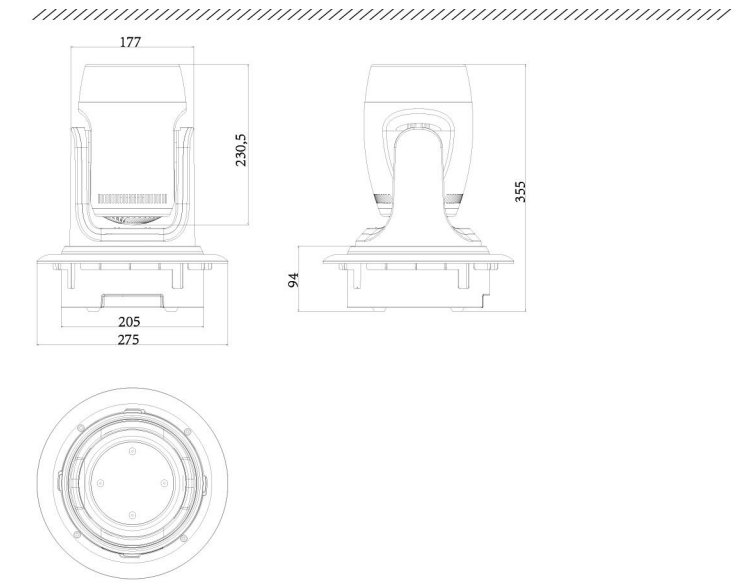


## TECHNICAL PARAMETER

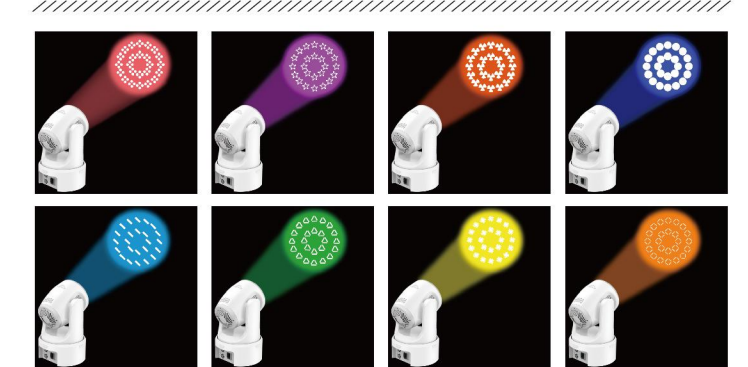
- Light source:** LED module 120W, 8000K
- Lens aperture:** 120mm
- Beam angle:** 2°, 90000Lux for 4.5m
- Dimming:** 0 – 100% linear dimming
- Fixed-focus:** 4 – 4.5m
- Prism:** 24-Facet rotating prism
- Strobe:** High speed electronic strobe
- Color wheel:** 8 + 1
- Gobo wheel:** 10 + 1
- Pan:** 540°
- Tilt:** 180°
- Housing:** ABS + PC, Black/White for option
- Connector:** RJ45 In/Out
- Onboard menu:** LED display
- Control option:** Auto, Sound, DMX512 (14CH), RDM, Master/Slave
- Cooling:** Temperature-controlled fan
- Installation methods:** Hanging on truss, Surface, Conceal mounted (Hole-cutting diameter: 235mm, Hole-cutting depth: ≥ 120mm)
- Voltage:** AC 110-240V, 50HZ
- NW:** 4.55KG
- Dimension:** 205\*205\*355mm



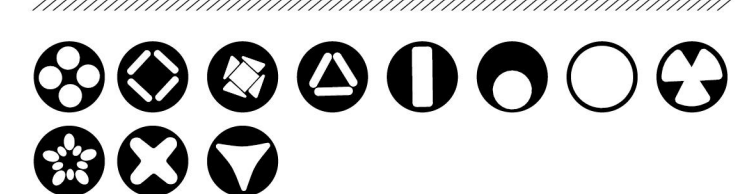
## PRODUCT SIZE



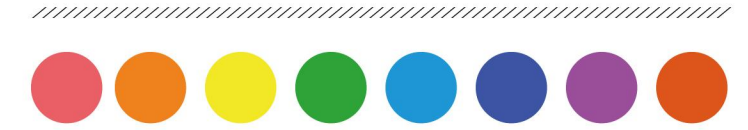
## COLOR EFFECTS



## PATTERN



## COLOUR





# LED BEAM LIGHT

FT-A200Pro

LED Moving Head Beam Light

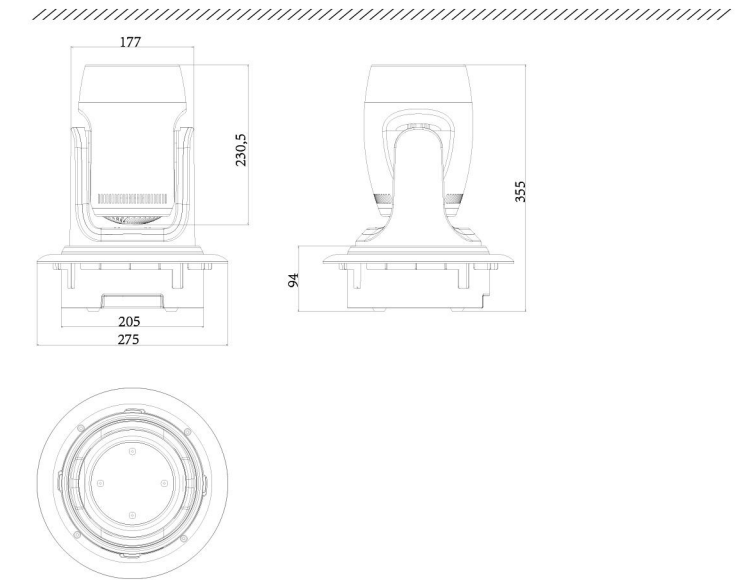


## TECHNICAL PARAMETER

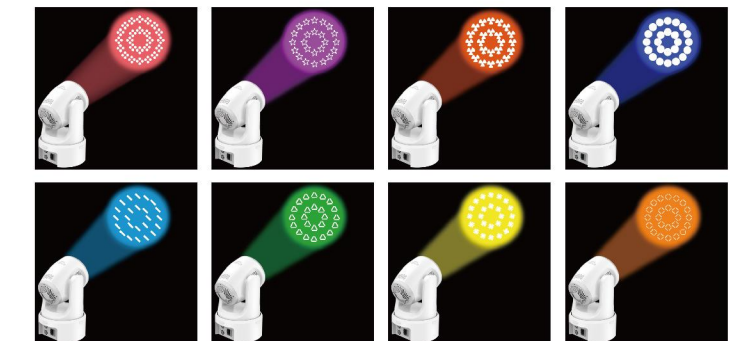
- Light source:** LED module 120W, 8000K
- Lens aperture:** 120mm
- Beam angle:** 2°, 90000Lux for 4.5m
- Dimming:** 0 – 100% linear dimming
- Focus:** Motorized focus
- Prism:** 24-Facet rotating prism
- Strobe:** High speed electronic strobe
- Color wheel:** 8 + 1
- Gobo wheel:** 10 + 1
- Pan:** 540°
- Tilt:** 180°
- Housing:** ABS + PC, Black/White for option
- Connector:** RJ45 In/Out
- Onboard menu:** LED display
- Control option:** Auto, Sound, DMX512 (14CH), RDM, Master/Slave
- Cooling:** Temperature-controlled fan
- Installation methods:** Hanging on truss, Surface, Conceal mounted (Hole-cutting diameter: 235mm, Hole-cutting depth: ≥ 120mm)
- Voltage:** AC 110-240V, 50HZ
- NW:** 4.55KG
- Dimension:** 205\*205\*355mm



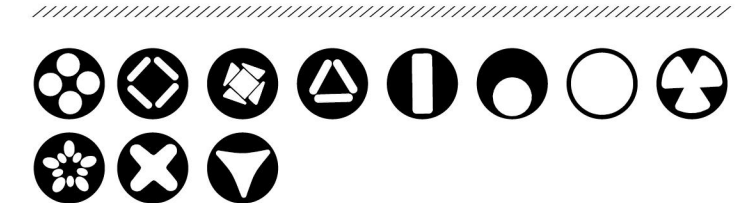
## PRODUCT SIZE



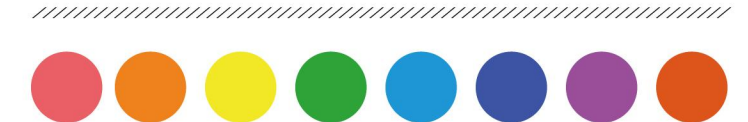
## COLOR EFFECTS



## PATTERN



## COLOUR





# 08

## SERIES S

Versatile LED Moving Heads



# LED WASH GOBO LIGHT

## FT-S630Z LED Moving Head Wash Gobo Light (Fully-Recessed)

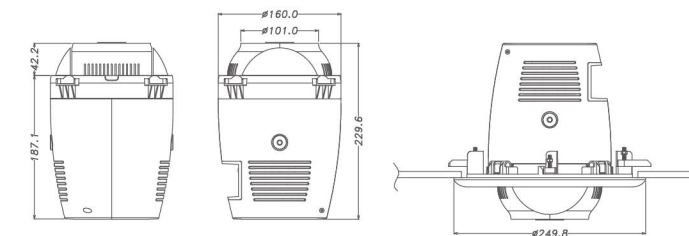


### TECHNICAL PARAMETER

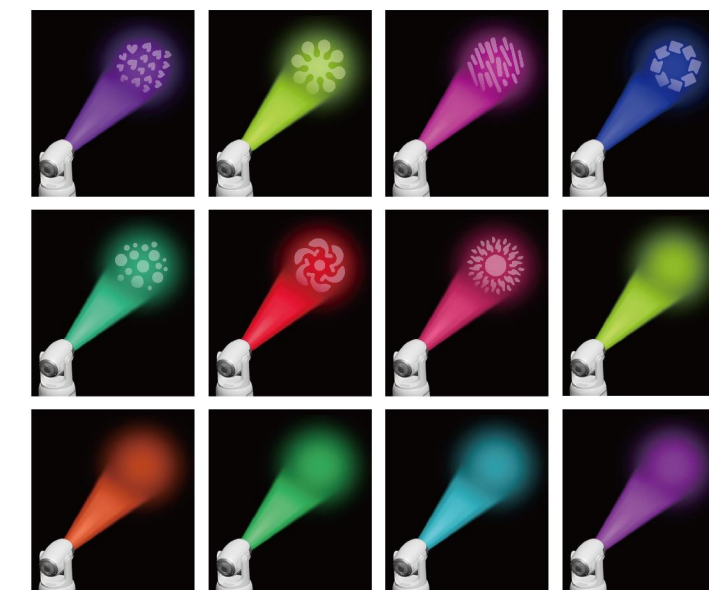
- Light source for Gobo: LED 30W, 11000K
- Light source for Wash: LED 6 x 8W RGBW
- Lens aperture: 21mmx6 for Wash, 35mm for Gobo
- Beam angle: 35° for Wash, 10° for Gobo
- Gobo wheel: 6 + 1
- Color wheel: 6 + 1
- Pan: 540°
- Tilt: 70°
- Housing: ABS + PC, Black/White for option
- Connector: RJ45 In/Out
- Control option: Auto, Sound, DMX512, RDM, Master/Slave
- Cooling: Temperature-controlled fan
- Installation methods: Hanging on truss, Surface, Conceal mounted (Hole-cutting diameter: 190/220mm, Hole-cutting depth: ≥ 200mm)
- Voltage: AC 110-240V, 50HZ
- NW: 2.2KG
- Dimension: 160\*160\*229.6mm



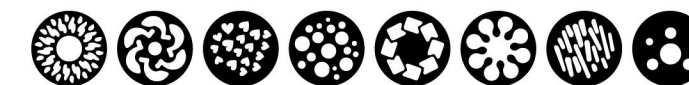
### PRODUCT SIZE



### COLOR EFFECTS



### PATTERN



### COLOUR





# 09

## SERIES CS

Versatile LED Moving Heads



# LED CRYSTAL BALL LIGHT

FT-CS35W LED Magic Crystal

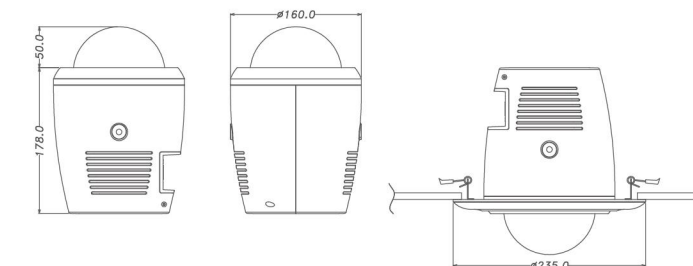
Ball Rotating Effect Light(Fully-Recessed)



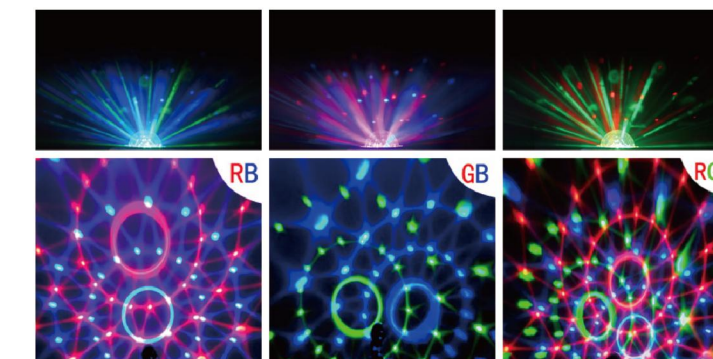
## TECHNICAL PARAMETER

**Light source :** LED 4W, 1W R + 1W G + 1W B+ 1W White  
**Lens aperture:** 38mm x 6  
**Beam angle:** 120°  
**Rated Power:** 40W  
**Scan angle:** X axis - Unlimited rotation  
**Housing:** ABS + PC, Black/White for option  
**Connector:** RJ45 In/Out  
**Control option:** Auto,Sound, DMX512, RDM, Master/Slave  
**Cooling:** Temperature-controlled fan  
**Installation methods:** Conceal mounted  
(Hole-cutting diameter: 190/220mm, Hole-cutting depth: ≥ 200mm)  
**Voltage:** AC 110-240V, 50HZ  
**NW:** 1.4KG  
**Dimension:** 160\*160\*178mm

## PRODUCT SIZE



## COLOR EFFECTS



# LED BEAM LIGHT

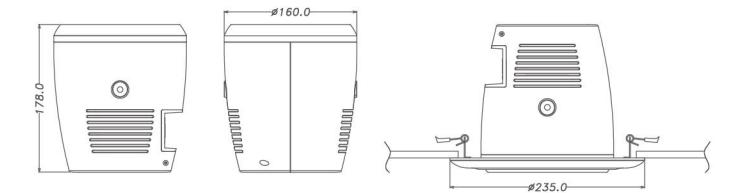
FT-CS60 LED Bee Eyes Moving Head Beam Light  
(Fully-Recessed)



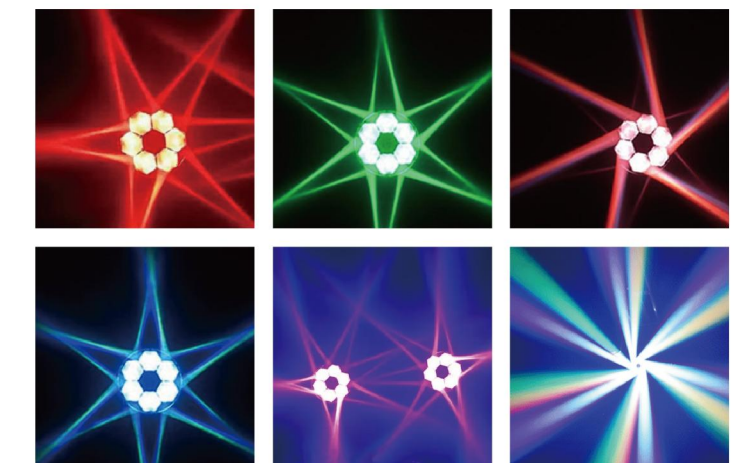
## TECHNICAL PARAMETER

**Light source:** LED 6\*15W RGBW Cree  
**Lens aperture:** 38mm x 6  
**Beam angle:** 5-45°  
**Rated Power:** 90W  
**Scan angle:** X axis - Unlimited rotation  
**Housing:** ABS + PC, Black/White for option  
**Connector:** RJ45 In/Out  
**Control option:** Auto, Sound, DMX512, RDM, Master/Slave  
**Cooling:** Temperature-controlled fan  
**Installation methods:** Conceal mounted  
(Hole-cutting diameter: 190/220mm, Hole-cutting depth: ≥ 200mm)  
**Voltage:** AC 110-240V, 50HZ  
**NW:** 1.412KG  
**Dimension:** 160\*160\*178mm

## PRODUCT SIZE



## COLOR EFFECTS





# LED BEAM LIGHT

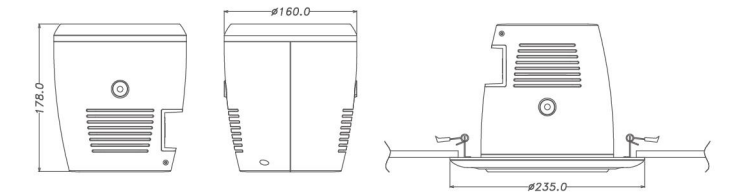
FT-CS60G LED Bee Eyes Moving Head Beam  
with Laser Light(Fully-Recessed)



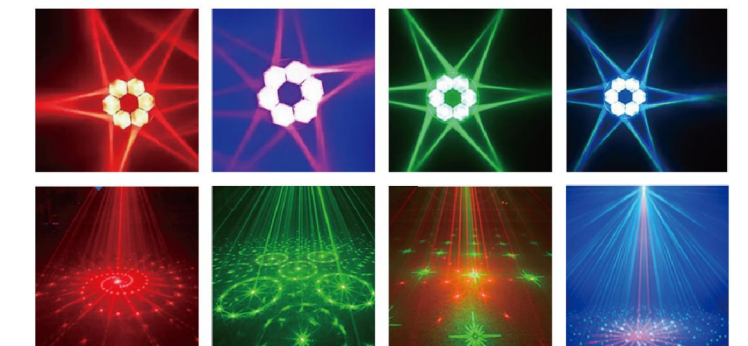
## TECHNICAL PARAMETER

**Light source 1:** LED 6\*15W RGBW Cree  
**Light source 2:** Green 520nm 100mW  
**Lens aperture:** 38mm x 6  
**Beam angle:** 5-45°  
**Rated Power:** 100W  
**Scan angle:** X axis - Unlimited rotation  
**Housing:** ABS + PC, Black/White for option  
**Connector:** RJ45 In/Out  
**Control option:** Auto,Sound, DMX512, RDM, Master/Slave  
**Cooling:** Temperature-controlled fan  
**Installation methods:** Conceal mounted  
(Hole-cutting diameter: 190/220mm, Hole-cutting depth: ≥ 200mm)  
**Voltage:** AC 110-240V, 50HZ  
**NW:** 1.412KG  
**Dimension:** 160\*160\*178mm

## PRODUCT SIZE



## COLOR EFFECTS



# LED BEAM LIGHT

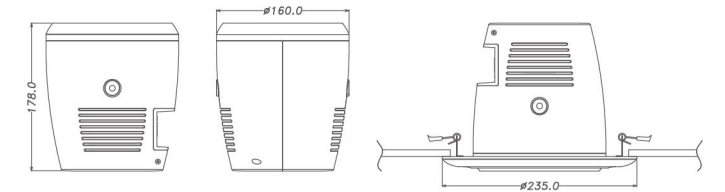
FT-CS65RG LED Bee Eyes Moving Head  
Beam with RG Laser Light (Fully-Recessed)



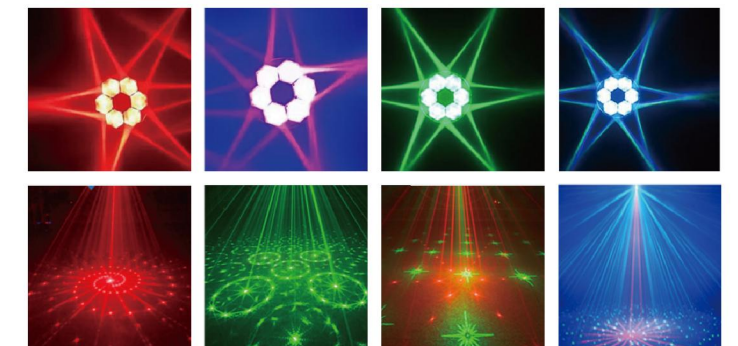
## TECHNICAL PARAMETER

**Light source 1:** LED 6\*15W RGBW Cree  
**Light source 2:** Laser Green 520nm, 100mW + Red 638nm, 200mW  
**Lens aperture:** 38mm x 6  
**Beam angle:** 5-45°  
**Laser pattern:** 12pcs RG rotating patterns  
**Rated Power:** 100W  
**Scan angle:** X axis - Unlimited rotation  
**Housing:** ABS + PC, Black/White for option  
**Connector:** RJ45 In/Out  
**Control option:** Auto, Sound, DMX512, RDM, Master/Slave  
**Cooling:** Temperature-controlled fan  
**Installation methods:** Conceal mounted  
(Hole-cutting diameter: 190/220mm, Hole-cutting depth: ≥ 200mm)  
**Voltage:** AC 110-240V, 50HZ  
**NW:** 1.412KG  
**Dimension:** 160\*160\*178mm

## PRODUCT SIZE



## COLOR EFFECTS







# 10

## SERIES D

Animation Laser

# LASER LIGHT

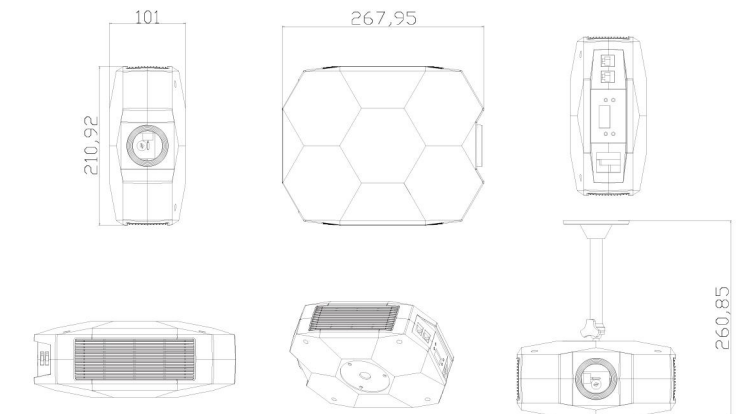
## FT-D1 1W RGB Animation Laser Light



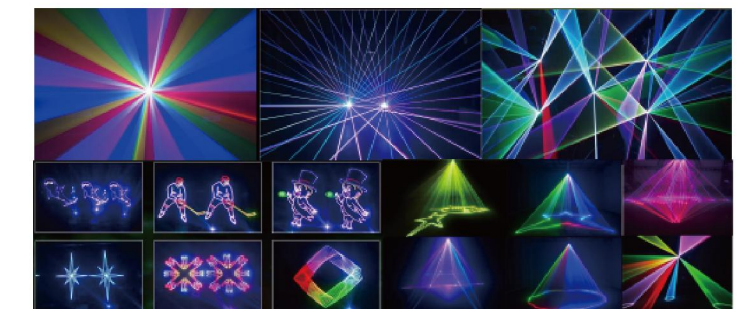
### TECHNICAL PARAMETER

**Power:** R638nm, 300mW + G520nm, 300mW + B445nm, 600mW, Blended White: 1200mW.  
**Scanner:** 15Kpps  
**Laser source:** Diode  
**Basic Patterns:** Built in over 100 graphic, beams and animation effects.  
**Housing material:** TTS+Aluminum(AL6063), Black/White for option  
**Housing design:** Compact and fully sealed optics design, unique looking, dust and oil proof, stable quality and long service life.  
**Control option:** Auto,Sound, LAN, DMX512, Master/Slave  
**Connector:** RJ45 In/Out  
**Cooling system:** Silent fan  
**Power supply:** Voltage: AC 110-240V, 50HZ  
**NW:** 1.85KG  
**Dimension:** 211\*268\*101mm

### PRODUCT SIZE



### COLOR EFFECTS





# LASER LIGHT

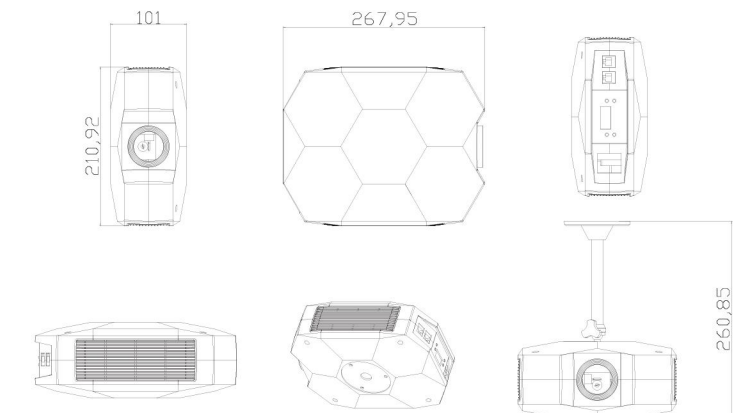
## FT-D2 2W RGB Animation Laser Light



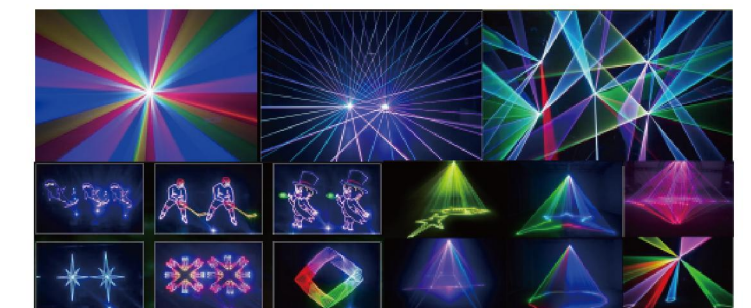
### TECHNICAL PARAMETER

**Power:** R638nm, 500mW + G520nm, 500mW + B445nm, 1000mW, Blended White: 2000mW.  
**Scanner:** 15Kpps  
**Laser source:** Diode  
**Basic Patterns:** Built in over 100 graphic, beams and animation effects.  
**Housing material:** TTS+Aluminum(AL6063), Black/White for option  
**Housing design:** Compact and fully sealed optics design, unique looking, dust and oil proof, stable quality and long service life.  
**Control option:** Auto,Sound, LAN, DMX512, Master/Slave  
**Connector:** RJ45 In/Out  
**Cooling system:** Silent fan  
**Power supply:** Voltage: AC 110-240V, 50HZ  
**NW:** 1.9KG  
**Dimension:** 211\*268\*101mm

### PRODUCT SIZE



### COLOR EFFECTS



# LASER LIGHT

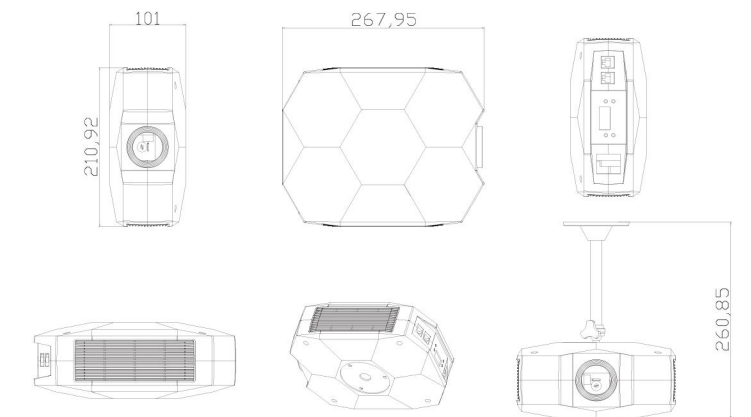
## FT-D3 3W RGB Animation Laser Light



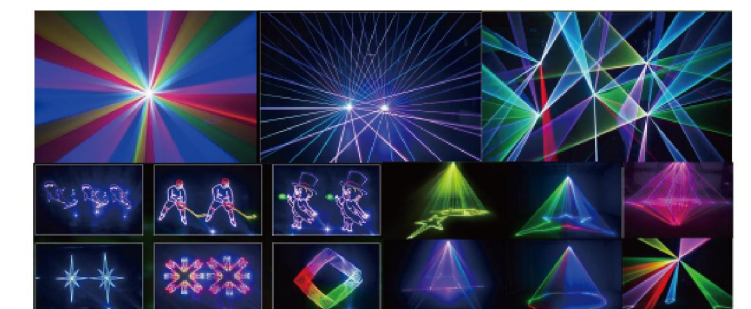
### TECHNICAL PARAMETER

**Power:** R638nm, 700mW + G520nm, 700mW + B445nm, 1600mW, Blended White: 3000mW.  
**Scanner:** 20Kpps  
**Laser source:** Diode  
**Basic Patterns:** Built in over 100 graphic, beams and animation effects.  
**Housing material:** TTS+Aluminum(AL6063),Black/White for option  
**Housing design:** Compact and fully sealed optics design, unique looking, dust and oil proof, stable quality and long service life.  
**Control option:** Auto,Sound, LAN, DMX512, Master/Slave  
**Connector:** RJ45 In/Out  
**Cooling system:** Silent fan  
**Voltage:** AC 110-240V, 50HZ  
**NW:** 1.95KG  
**Dimension:** 211\*268\*101mm

### PRODUCT SIZE



### COLOR EFFECTS





# LASER LIGHT

## FT-D4 4W RGB Animation Laser Light



### TECHNICAL PARAMETER

**Power:** R638nm, 1000mW + G520nm, 1000mW + B445nm, 2000mW, Blended White: 4000mW.

**Scanner:** 20Kpps

**Laser source:** Diode

**Basic Patterns:** Built in over 100 graphic, beams and animation effects.

**Housing material:** TTS+Aluminum(AL6063),Black/White for option

**Housing design:** Compact and fully sealed optics design, unique looking, dust and oil proof, stable quality and long service life.

**Control option:** Auto,Sound, LAN, DMX512, Master/Slave

**Connector:** RJ45 In/Out

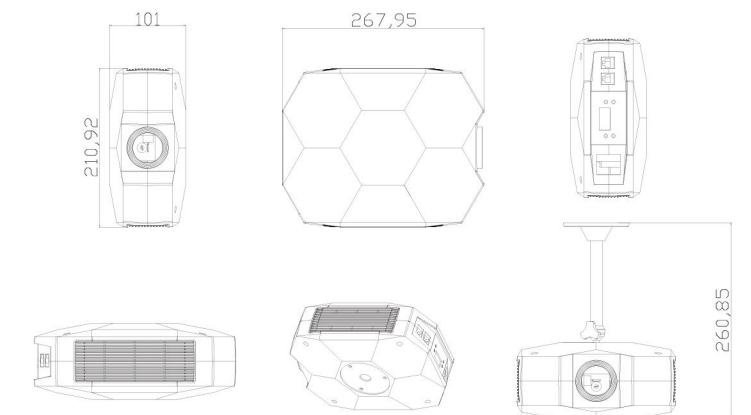
**Cooling system:** Silent fan

**Voltage:** AC 110-240V, 50HZ

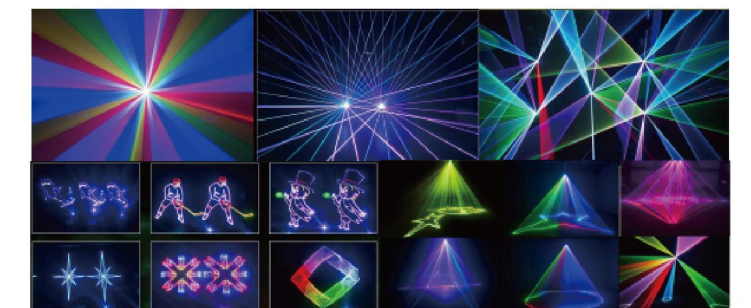
**NW:** 2.05KG

**Dimension:** 211\*268\*101mm

### PRODUCT SIZE



### COLOR EFFECTS



# LASER LIGHT

## FT-D5 5W RGB Animation Laser Light



### TECHNICAL PARAMETER

**Power:** R638nm, 1400mW + G520nm, 1200mW + B445nm, 2400mW, Blended White: 5000mW.

**Scanner:** 20Kpps

**Laser source:** Diode

**Basic Patterns:** Built in over 100 graphic, beams and animation effects.

**Housing material:** TTS+Aluminum(AL6063),Black/White for option

**Housing design:** Compact and fully sealed optics design, unique looking, dust and oil proof, stable quality and long service life.

**Control option:** Auto,Sound, LAN, DMX512, Master/Slave

**Connector:** RJ45 In/Out

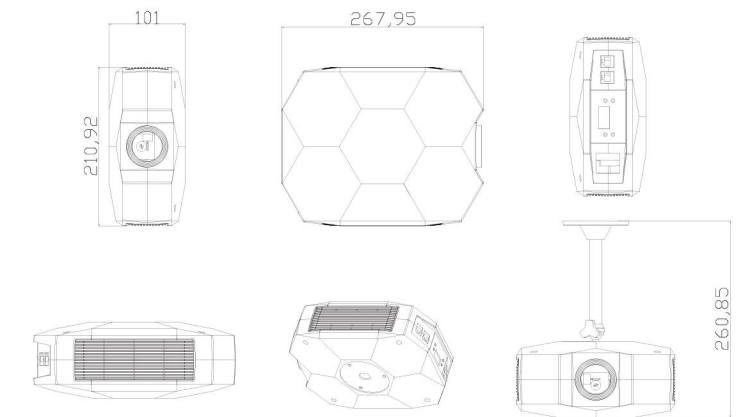
**Cooling system:** Silent fan

**Voltage:** AC 110-240V, 50HZ

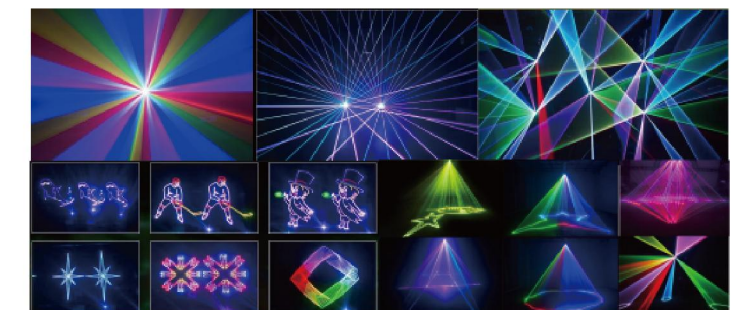
**NW:** 2.22KG

**Dimension:** 211\*268\*101mm

### PRODUCT SIZE



### COLOR EFFECTS





# CONTACT US

## DONGGUAN YOUEASY ELECTRONIC TECHNOLOGY CO., LTD

8-9 / F, Changrong High-tech Park, Huaide Yayao Industrial Zone,  
Humen Town, Dongguan City

Official website: [www.szyoueasy.com](http://www.szyoueasy.com) The hotline is +86 189-3816-0702

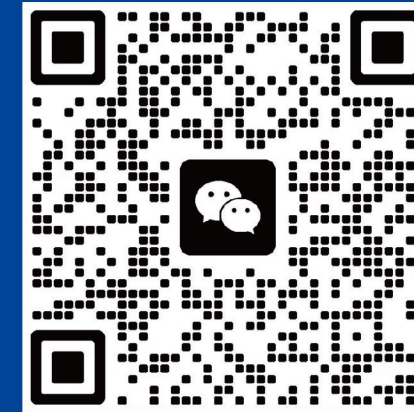
**South China Sales Branch:** 8th Floor, Changrong High-tech Park, Huaide Yayao Industrial Zone, Humen Town, Dongguan City, Guangdong Province

**Western Sales Branch:** 403, Building 6, Zhaoxin Center, 86 Wuxing Road, Wuhou District, Chengdu City, Sichuan Province

**North Sales Branch:** Room 1207, Hongyuehua Business Building (Kejin Building), No. 27, Qilibao Road, Hongjialou Street, Licheng District, Jinan City

**East China Sales Branch:** Room 322, 3rd Floor, Block C, No. 45, Xiangyuan Road, Gongshu District, Hangzhou (Panshi Global Digital Economy Industrial Park)

**Foshan Manufacturing Base:** Room 501, 5/F, Building 4, No. 38, Lishui East Industrial Park, Shengli Community, Lishui Town, Nanhai District, Foshan, China



Scan code and Contact us